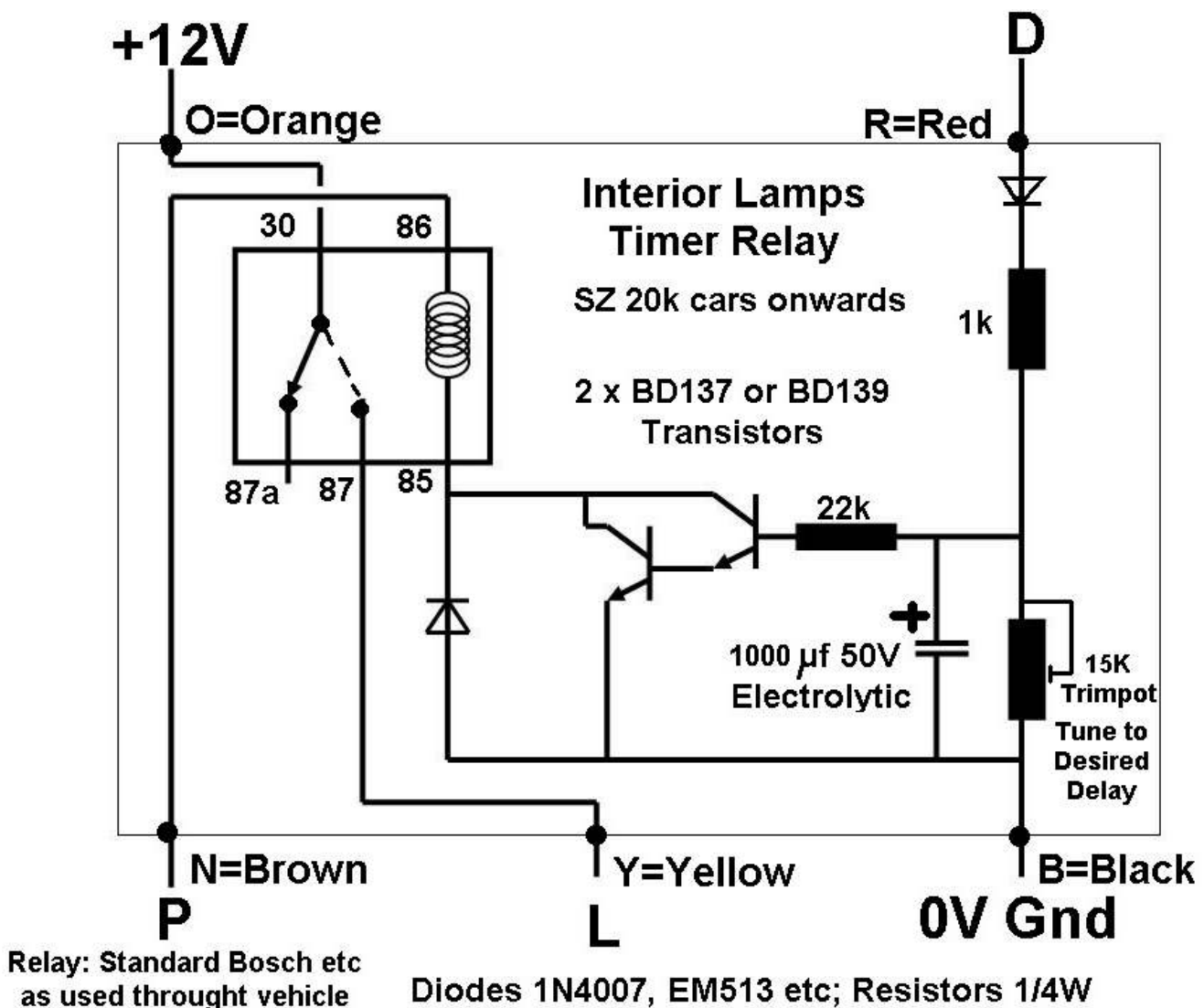


SZ Cars from Chassis 20,000 Onwards

Replacement Timer Relay for Interior Lamps also General Component Layout and Wiring Diagramme

The interior lamps timer relay unit may be rebuilt according to the circuit diagramme below. The colour codes and the pinouts are identical to those shown in the vehicle wiring diagramme (see Page 5 item 23).



SZ 30,000-Series Cars - Also Applies Mostly to 20,000-Series Cars

Key to Component Locations and Wiring Diagramme

- 1) Earth point - left-hand 'A' post
- 2) Splice 16
- 3) Main loom to body loom plug and socket 24-way - right-hand 'A' post
- 4) Diode board plug 18-way
- 5) Diode - diode board
- 6) Earth point - right-hand 'A' post
- 7) Main loom to body loom plug and socket 5-way - left-hand 'A' post
- 8) Left-hand front door plug and socket 7-way
- 9) Left-hand front door plug and socket 24-way
- 10) Main loom to body loom plug and socket 12-way - left-hand 'A' post
- 11) Fuseboard F2, fuse A1, 10 amp
- 12) Fuseboard F1, fuse B1, 20 amp
- 13) Splice 15
- 14) Splice 90
- 15) Right-hand front door plug and socket 24-way
- 16) Right-hand front door plug and socket 5-way
- 17) Main loom to body loom plug and socket 9-way - right-hand 'A' post
- 18) Gearchange actuator plug and socket 6-way - blue
- 19) Interior lamps delay electronic control unit plug and socket
- 20) To anti-theft alarm electronic control unit plug and socket 18-way. For further information reference should be made to the wiring diagram contained within Section 19
- 21) Interior lamps switch plug and socket - door
- 22) Left-hand rear door plug and socket 6-way
- 23) Interior lamps delay electronic control unit
- 24) Right-hand rear door plug and socket 6-way
- 25) Interior lamps switch - door
- 26) Gearchange actuator relay 3
- 27) Left-hand rear door plug and socket 5-way
- 28) Splice 129
- 29) Door open warning lamp
- 30) Gearchange actuator relay 2
- 31) Splice 1
- 32) Splice 106
- 33) Right-hand rear door plug and socket 5-way
- 34) Door step lamp
- 35) Centre console switch panel plug and socket 24-way
- 36) Splice 150
- 37) Gearchange actuator relay 1
- 38) Gearchange actuator micro-switch
- 39) Splice 149
- 40) Passenger's reading lamp/vanity mirror lamp switch
- 41) Splice 38
- 42) Driver's interior lamps/vanity mirror lamp switch
- 43) Splice 91
- 44) Main loom to cantrail loom plug and socket 6-way - left-hand side
- 45) Cantrail loom to vanity mirror lamp link loom connector - left-hand side
- 46) Right-hand body loom to rear seat loom plug and socket 2-way
- 47) Splice 36
- 48) Right-hand body loom to cantrail loom plug and socket 3-way
- 49) Main loom to cantrail loom plug and socket 6-way - right-hand side
- 50) Cantrail loom to vanity mirror lamp link loom connector - right-hand side
- 51) Passenger's vanity mirror lamp
- 52) Passenger's sun visor earth switch
- 53) Left-hand front reading lamp
- 54) Left-hand front courtesy lamp
- 55) Left-hand front footwell lamp
- 56) Right-hand front footwell lamp
- 57) Right-hand front reading lamp
- 58) Right-hand front courtesy lamp
- 59) Driver's vanity mirror lamp

- 60) Driver's sun visor earth switch
- 61) Rear interior lamps switch - left-hand side
- 62) Left-hand rear reading lamp
- 63) Left-hand rear courtesy lamp
- 64) Left-hand rear footwell lamp
- 65) Right-hand rear footwell lamp
- 66) Right-hand rear reading lamp
- 67) Right-hand rear courtesy lamp
- 68) Rear interior lamps switch - right-hand side
- 69) Luggage compartment earth point - right-hand side
- 70) Cantrail loom to header panel loom plug and socket 3-way - left-hand side
- 71) Interior lamps diode
- 72) Cantrail loom to header panel loom plug and socket 3-way - right-hand side

