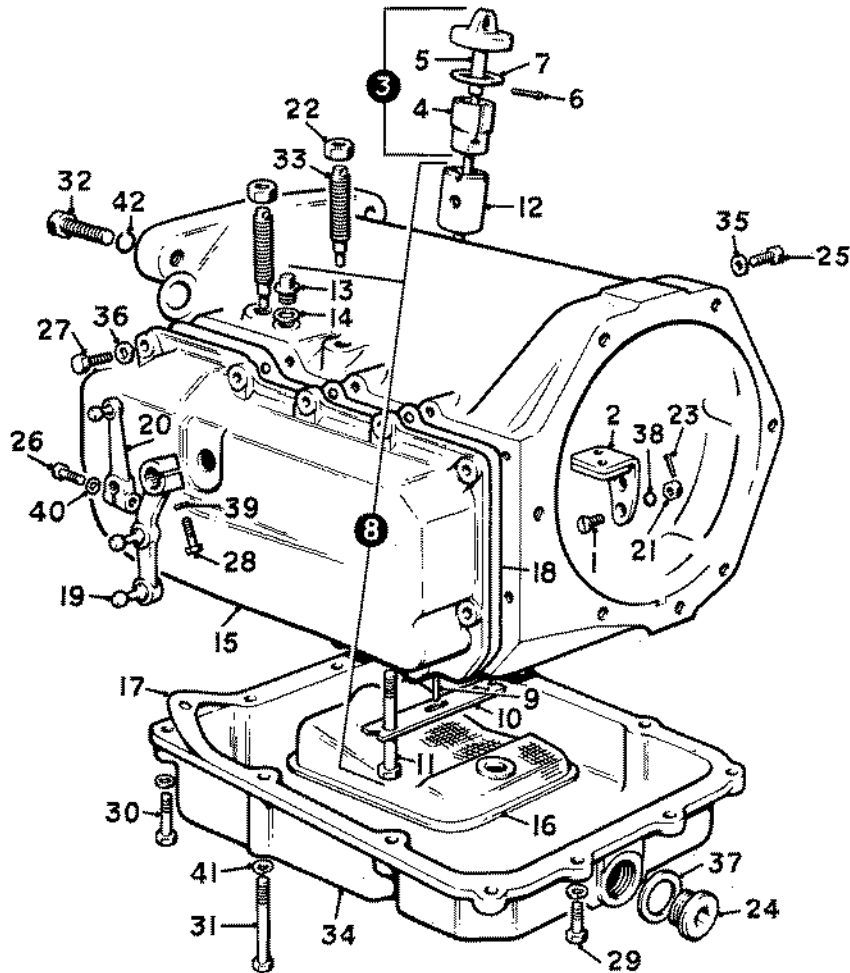


SECTION G.

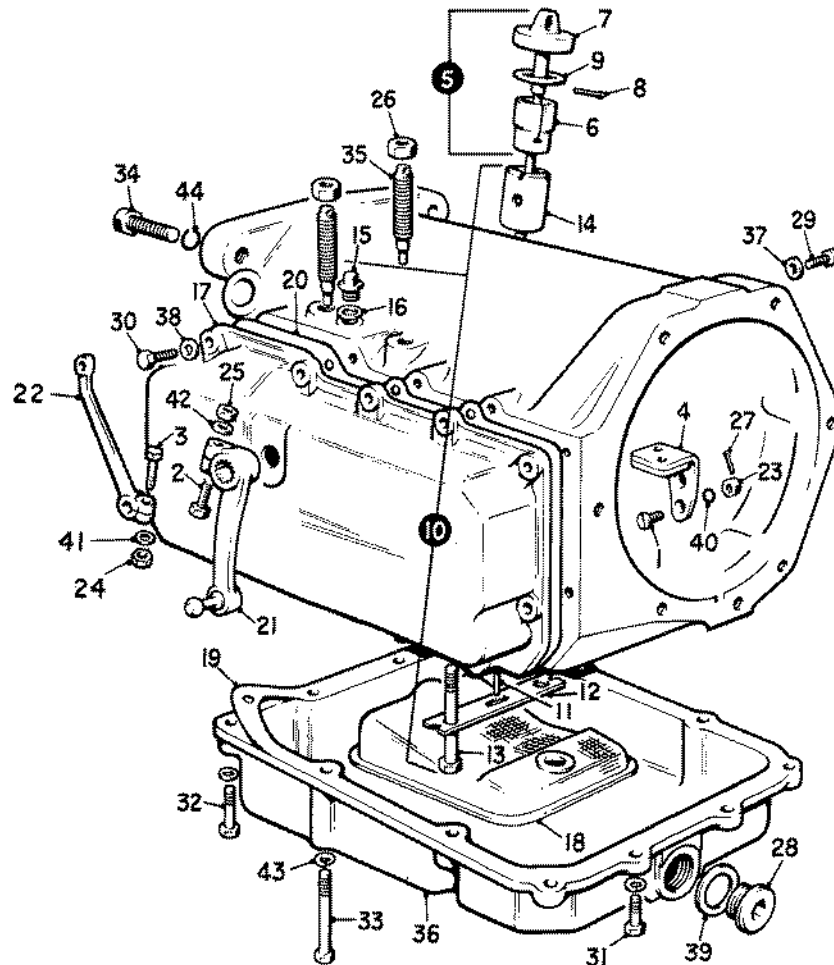
GEARBOX CASING.

TITLE	GEARBOX SERIES	PAGE
GEARBOX CASING	C. C-E.	G.1
	C. C-C. C-E. C-E8. C-P. C-PC.	G.2
	C-SW. C-SWM.	G.3
	SM. SM-C.	G.4
	SM. SM-C.	G.5
	T.	G.6



Ref.	Part No.	Description	No. off	Ref.	Part No.	Description	No. off
(1)	UG.1303	BOLT, pump bracket	2	(21)	K.4206/Z	NUT, bolt, pump bracket	2
(2)	UG.1302	BRACKET, DAMPING, REAR PUMP—	1	(22)	UA.305/L	NUT, band stops	2
(3)	UG.1219	BREATHER, OIL, AND DIPSTICK—	1	(23)	KA.4602/Z	PIN, split, pump bracket	2
(4)	UG.1221	Cap	1	(24)	UG.526	PLUG, sump drain	1
(5)	UG.1220	Dipstick	1	(25)	UA.103/Z	SCREW, pump suction pipe	2
(6)	K.4607/Z	Pin, split	1	(26)	UA.103/Z	SCREW, throttle lever	1
(7)	UG.1222	Washer, cap	1	(27)	UA.104/Z	SCREW, side cover	12
(8)	R.6002	CASING, GEARBOX, "SERVICE" ASSY.	1	(28)	UA.105/Z	SCREW, selector lever	1
(9)	UG.610	Pin, dowel	1	(29)	UA.154/Z	SCREW, sump to gearbox	9
(10)	UG.165	Plate, lock, screws	1	(30)	UA.158/Z	SCREW, sump to gearbox	2
(11)	UG.640	Screw, sleeve cap	2	(31)	UA.169/Z	SCREW, sump to gearbox	1
(12)	UG.231	Sleeve, dipstick	1	(32)	UG.984	SCREW, rear flywheel casing	4
(13)	UG.1558	Plug, blanking	1	(33)	UG.305	STOP, adjusting, band	2
(14)	KB.1078	Washer, joint, plug	1	(34)	UG.765	SUMP, oil	1
(15)	UG.806	COVER, side	1	(35)	R.G.8181	WASHER, screw, suction pipe	2
(16)	UG.621	FILTER, OIL, SUMP—ASSY.	1	(36)	R.G.8181	WASHER, screw, side cover	12
(17)	UG.809	JOINT, sump to gearbox	1	(37)	KB.1093	WASHER, joint, drain plug	1
(18)	UG.808	JOINT, cover	1	(38)	K.4404/Z	WASHER, screw, damping bracket	2
(19)	UG.121	LEVER, SELECTOR—ASSY.	1	(39)	K.9008/Z	WASHER, selector lever	1
(20)	UG.122	LEVER, THROTTLE CONTROL—ASSY.	1	(40)	K.9009/Z	WASHER, throttle lever	1
				(41)	K.9009/Z	WASHER, screw, oil sump	12
				(42)	K.9012/Z	WASHER, screw, rear flywheel casing	4

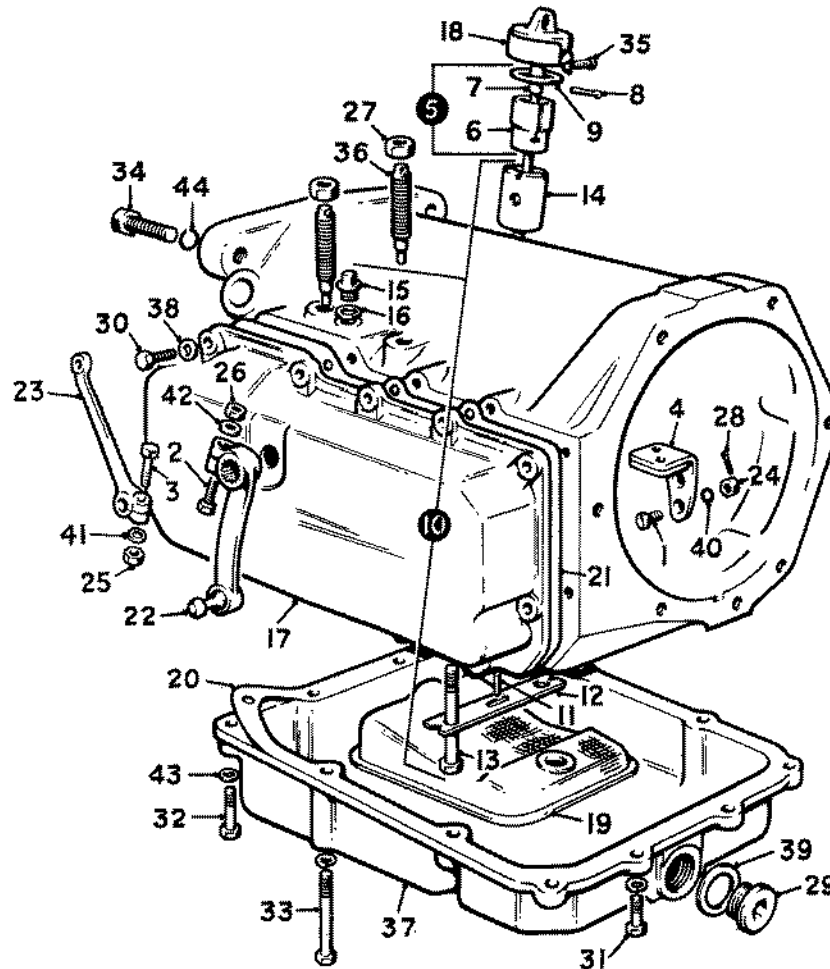
GEARBOX CASING
(CAST IRON FLYWHEEL CASING)



Ref.	Part No.	Description	No. off	Ref.	Part No.	Description	No. off
(1)	UG.1303	BOLT, pump bracket	2	(22)	RG.8455	LEVER, throttle control	1
(2)	KC.207/Z	BOLT, selector lever	1	(23)	K.4206/Z	NUT, bolt, pump bracket	2
(3)	K.131/Z	BOLT, throttle control lever	1	(24)	K.4307/Z	NUT, bolt, throttle lever	1
(4)	UG.1302	BRACKET, DAMPING, REAR PUMP—	1	(25)	K.4310/Z	NUT, bolt, selector lever	1
(5)	UG.1219	BREATHER, OIL, AND DIPSTICK—	1	(26)	UA.305/L	NUT, band stops	2
(6)	UG.1221	Cap	1	(27)	KA.4602/Z	PIN, split, pump bracket	2
(7)	UG.1220	Dipstick	1	(28)	UG.526	PLUG, sump drain	1
(8)	K.4607/Z	Pin, split	1	(29)	UA.103/Z	SCREW, pump suction pipe	2
(9)	UG.1222	Washer, cap	1	(30)	UA.104/Z	SCREW, side cover	12
(10)	R.6002	CASING, GEARBOX, " SERVICE " ASSY.	1	(31)	UA.154/Z	SCREW, sump to gearbox	9
(11)	UG.610	Pin, dowel	1	(32)	UA.158/Z	SCREW, sump to gearbox	2
(12)	UG.165	Plate, lock. screws	1	(33)	UA.169/Z	SCREW, sump to gearbox	1
(13)	UG.640	Screw, sleeve cap	2	(34)	UG.984	SCREW, rear flywheel casing	4
(14)	UG.231	Sleeve, dipstick	1	(35)	UG.305	STOP, adjusting, band	2
(15)	UG.1558	Plug, blanking	1	(36)	UG.765	SUMP, oil	1
(16)	KB.1078	Washer, joint, plug	1	(37)	RG.8181	WASHER, screw, suction pipe	2
(17)	UG.806	COVER, side	1	(38)	RG.8181	WASHER, screw, side cover	12
(18)	UG.621	FILTER, OIL, SUMP—ASSY.	1	(39)	KB.1093	WASHER, joint, drain plug	1
(19)	UG.809	JOINT, sump to gearbox	1	(40)	K.4404/Z	WASHER, bolt, pump bracket	2
(20)	UG.808	JOINT, cover	1	(41)	K.9006/Z	WASHER, bolt, throttle lever	1
(21)	RG.8169	LEVER, SELECTOR—ASSY.	1	(42)	K.9008/Z	WASHER, bolt, selector lever	1
				(43)	K.9009/Z	WASHER, screw, oil sump	12
				(44)	K.9012/Z	WASHER, screw, rear flywheel casing	4

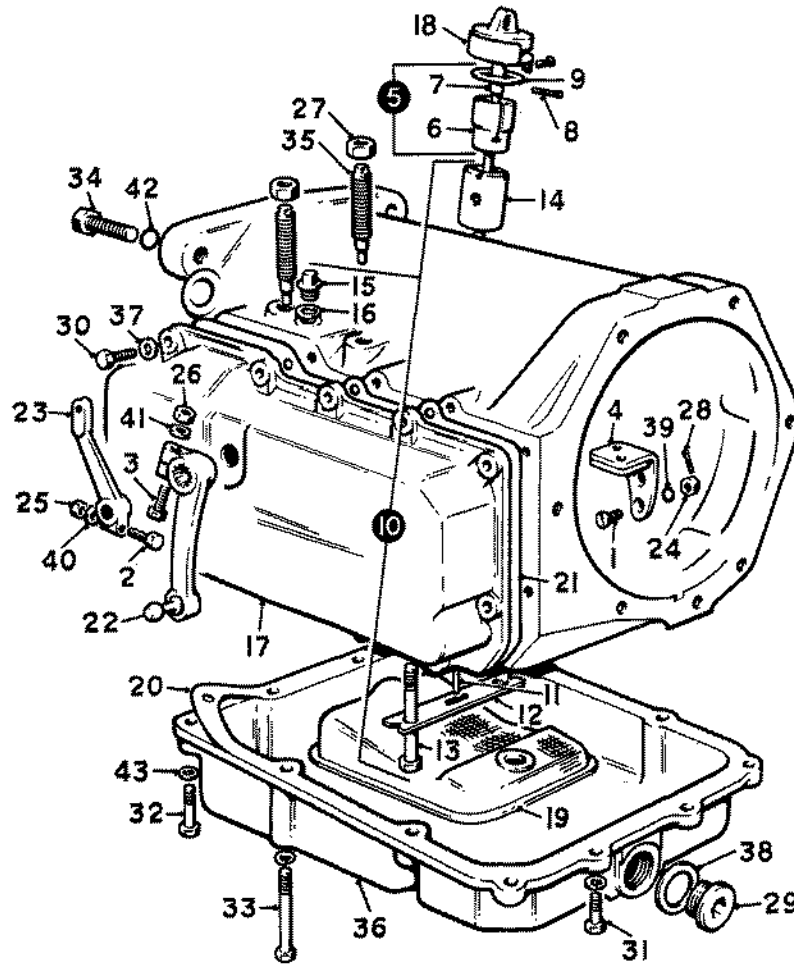
GEARBOX CASING
(ALUMINIUM FLYWHEEL CASING)

GEARBOX SERIES. C. C-C. C-E. C-EB. C-P. C-PC.



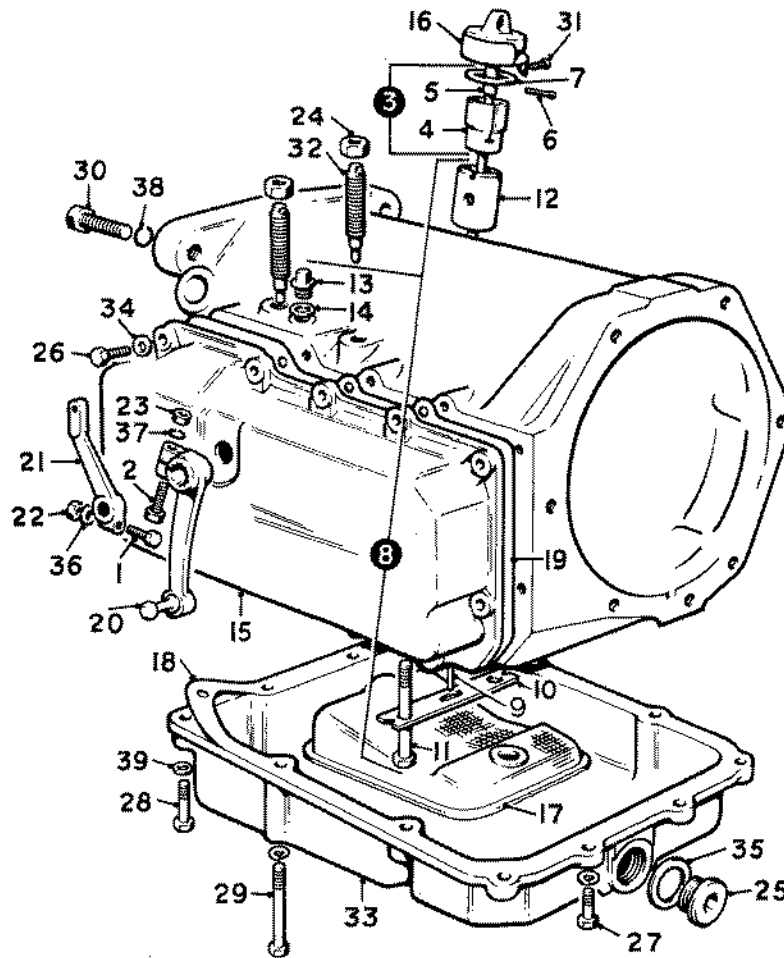
Ref.	Part No.	Description	No. off	Ref.	Part No.	Description	No. off
(1)	UG.1303	BOLT, pump bracket	2	(22)	RG.8169	LEVER, SELECTOR—ASSY.	1
(2)	KC.207/Z	BOLT, selector lever	1	(23)	RG.8455	LEVER, throttle control	1
(3)	K.131/Z	BOLT, throttle control lever	1	(24)	K.4206/Z	NUT, bolt, pump bracket	2
(4)	UG.1302	BRACKET, DAMPING, REAR PUMP—	1	(25)	K.4307/Z	NUT, bolt, throttle lever	1
(5)	UG.1219	BREATHER, OIL, AND DIPSTICK—	1	(26)	K.4310/Z	NUT, bolt, selector lever	1
		ASSY.		(27)	UA.305/L	NUT, band stops	2
(6)	UG.1221	Cap	1	(28)	KA.4602/Z	PIN, split, pump bracket	2
(7)	UG.1220	Dipstick	1	(29)	UG.526	PLUG, sump drain	1
(8)	K.4607/Z	Pin, split	1	(30)	UA.104/Z	SCREW, side cover	12
(9)	UG.1222	Washer, cap	1	(31)	UA.154/Z	SCREW, sump to gearbox	9
(10)	R.6038	CASING, GEARBOX, "SERVICE" ASSY.	1	(32)	UA.158/Z	SCREW, sump to gearbox	2
(11)	UG.610	Pin	1	(33)	UA.169/Z	SCREW, sump to gearbox	1
(12)	UG.165	Plate, lock, screws	1	(34)	UG.984	SCREW, rear flywheel casing	4
(13)	UG.640	Screw, sleeve cap	2	(35)	RE.14441	SCREW, water excluder	1
(14)	UG.231	Sleeve, dipstick	1	(36)	UG.305	STOP, adjusting, band	2
(15)	UG.1558	Plug, blanking	1	(37)	UG.765	SUMP, oil	1
(16)	KB.1078	Washer, joint, plug	1	(38)	RG.8181	WASHER, screw, side cover	12
(17)	UG.806	COVER, side	1	(39)	KB.1093	WASHER, joint, drain plug	1
(18)	UG.3106	EXCLUDER, water, dipstick boss	1	(40)	K.4404/Z	WASHER, bolt, damping bracket	2
(19)	UG.621	FILTER, OIL, SUMP—ASSY.	1	(41)	K.9006/Z	WASHER, bolt, throttle lever	1
(20)	UG.809	JOINT, sump to gearbox	1	(42)	K.9008/Z	WASHER, bolt, selector lever	1
(21)	UG.808	JOINT, cover	1	(43)	K.9009/Z	WASHER, screws, oil sump	12
				(44)	K.9012/Z	WASHER, screw, rear flywheel casing	4

GEARBOX CASING
(ALUMINIUM FLYWHEEL CASING)



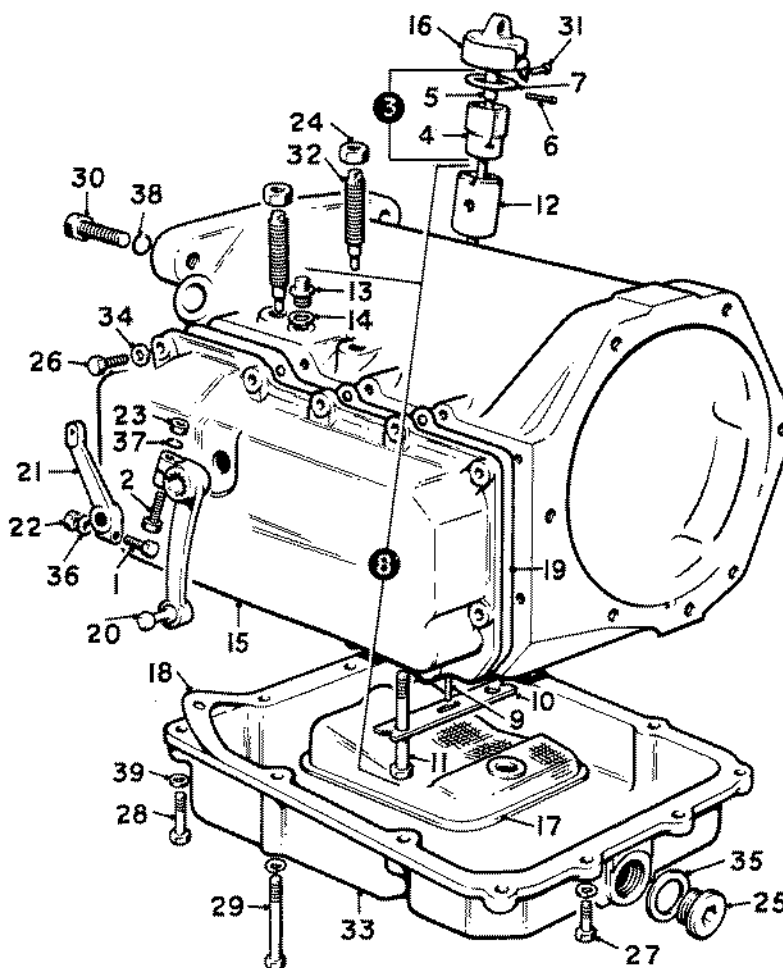
Ref.	Part No.	Description	No. off	Ref.	Part No.	Description	No. off
(1)	UG.1303	BOLT, pump bracket	2	(22)	RG.8169	LEVER, SELECTOR—ASSY.	1
(2)	KC.155/Z	BOLT, throttle control lever	1	(23)	UG.779	LEVER, throttle control	1
(3)	UA.106/Z	BOLT, selector lever	1	(24)	K.4206/Z	NUT, bolt, pump bracket	2
(4)	UG.1302	BRACKET, DAMPING, REAR PUMP—ASSY.	1	(25)	K.4307/Z	NUT, bolt, throttle lever	1
(5)	UG.1219	BREATHER, OIL, AND DIPSTICK—ASSY.	1	(26)	UA.351/Z	NUT, bolt, selector lever	1
(6)	UG.1221	Cap	1	(27)	UA.305/L	NUT, band adjusting stops	2
(7)	UG.1220	Dipstick	1	(28)	KA.4602/Z	PIN, split, pump bracket	2
(8)	K.4607/Z	Pin, split	1	(29)	UG.526	PLUG, sump drain	1
(9)	UG.1222	Washer, cap	1	(30)	UA.104/Z	SCREW, side cover	12
(10)	R.6038	CASING, GEARBOX, "SERVICE" ASSY.	1	(31)	UA.154/Z	SCREW, sump to gearbox	9
(11)	UG.610	Pin, dowel	1	(32)	UA.158/Z	SCREW, sump to gearbox	2
(12)	UG.165	Plate, lock, screws	1	(33)	UA.169/Z	SCREW, sump to gearbox	1
(13)	UG.640	Screw, sleeve cap	2	(34)	UG.984	SCREW, rear flywheel casing	4
(14)	UG.231	Sleeve, dipstick	1	(35)	UG.305	STOP, adjusting, bands	2
(15)	UG.1558	Plug, blanking	1	(36)	UG.765	SUMP, oil	1
(16)	KB.1078	Washer, joint, plug	1	(37)	RG.8181	WASHER, screw, side cover	12
(17)	UG.806	COVER, side	1	(38)	KB.1093	WASHER, joint, drain plug	1
(18)	UG.3106	EXCLUDER, water, dipstick boss	1	(39)	K.4404/Z	WASHER, screw, damping bracket	2
(19)	UG.621	FILTER, OIL, SUMP—ASSY.	1	(40)	K.9006/Z	WASHER, throttle lever	1
(20)	UG.809	JOINT, sump to gearbox	1	(41)	K.9008/Z	WASHER, selector lever	1
(21)	UG.808	JOINT, side cover	1	(42)	K.9012/Z	WASHER, screw, rear flywheel casing	4
				(43)	K.4410/Z	WASHER, screw, sump to gearbox	12

GEARBOX CASING
(ALUMINIUM FLYWHEEL CASING)
SOLID DRIVE TYPE REAR PUMP



Ref.	Part No.	Description	No. off	Ref.	Part No.	Description	No. off
(1)	KC.155/Z	BOLT, throttle control lever	1	(20)	RG.8169	LEVER, SELECTOR—ASSY.	1
(2)	UA.106/Z	BOLT, selector lever	1	(21)	UG.779	LEVER, throttle control	1
(3)	UG.1219	BREATHER, OIL, AND DIPSTICK—ASSY.	1	(22)	K.4307/Z	NUT, bolt, throttle lever	1
(4)	UG.1221	Cap	1	(23)	UA.351/Z	NUT, bolt, selector lever	1
(5)	UG.1220	Dipstick	1	(24)	UA.305/L	NUT, band stops	2
(6)	K.4607/Z	Pin, split	1	(25)	UG.526	PLUG, sump drain	1
(7)	UG.1222	Washer, cap	1	(26)	UA.104/Z	SCREW, side cover	12
(8)	R.6038	CASING, GEARBOX, "SERVICE" ASSY.	1	(27)	UA.154/Z	SCREW, sump to gearbox	9
(9)	UG.610	Pin, dowel	1	(28)	UA.158/Z	SCREW, sump to gearbox	2
(10)	UG.165	Plate, lock, screws	1	(29)	UA.169/Z	SCREW, sump to gearbox	1
(11)	UG.640	Screw, sleeve cap	2	(30)	UG.984	SCREW, rear flywheel casing	4
(12)	UG.231	Sleeve, dipstick	1	(31)	RE.14441	SCREW, water excluder	1
(13)	UG.1558	Plug, blanking	1	(32)	UG.305	STOP, adjusting, band	2
(14)	KB.1078	Washer, joint, plug	1	(33)	UG.765	SUMP, oil	1
(15)	UG.806	COVER, side	1	(34)	RG.8181	WASHER, screw, side cover	12
(16)	UG.3106	EXCLUDER, water, dipstick boss	1	(35)	KB.1093	WASHER, joint, drain plug	1
(17)	UG.621	FILTER, OIL, SUMP—ASSY.	1	(36)	K.9006/Z	WASHER, bolt, throttle lever	1
(18)	UG.809	JOINT, sump to gearbox	1	(37)	K.9008/Z	WASHER, bolt, selector lever	1
(19)	UG.808	JOINT, side cover	1	(38)	K.9012/Z	WASHER, screw, rear flywheel casing	4
				(39)	K.4410/Z	WASHER, screw, oil sump	12

GEARBOX CASING
(ALUMINIUM FLYWHEEL CASING)
SPRING DRIVE TYPE REAR PUMP



Ref.	Part No.	Description	No. off	Ref.	Part No.	Description	No. off
(1)	KC.155/Z	BOLT, throttle lever	1				
(2)	UA.106/Z	BOLT, selector lever	1				
(3)	UG.1219	BREATHER, OIL, AND DIPSTICK—	1				
		ASSY.	1	(22)	K.4307/Z	NUT, bolt, throttle lever	1
(4)	UG.1221	Cap	1	(23)	UA.351/Z	NUT, bolt, selector lever	1
(5)	UG.1220	Dipstick	1	(24)	UA.305/L	NUT, bands stops	2
(6)	K.4607/Z	Pin, split	1	(25)	UG.526	PLUG, sump drain	1
(7)	UG.1222	Washer, cap	1	(26)	UA.104/Z	SCREW, side cover	12
(8)	R.6038	CASING, GEARBOX, "SERVICE" ASSY.	1	(27)	UA.154/Z	SCREW, sump to gearbox	9
(9)	UG.610	Pin, dowel	1	(28)	UA.158/Z	SCREW, sump to gearbox	2
(10)	UG.165	Plate, lock, screws	1	(29)	UA.169/Z	SCREW, sump to gearbox	1
(11)	UG.640	Screw, sleeve cap	2	(30)	UG.984	SCREW, rear flywheel casing	4
(12)	UG.231	Sleeve, dipstick	1	(31)	RE.14441	SCREW, water excluder	1
(13)	UG.1558	Plug, blanking	1	(32)	UG.305	STOP, adjusting, band	2
(14)	KB.1078	Washer, joint, plug	1	(33)	UG.765	SUMP, oil	1
(15)	UG.3302	COVER, side	1	(34)	RG.8181	WASHER, screw, side cover	12
(16)	UG.3106	EXCLUDER, water, dipstick boss	1	(35)	KB.1093	WASHER, joint, drain plug	1
(17)	UG.621	FILTER, OIL, SUMP—ASSY.	1	(36)	K.9006/Z	WASHER, bolt, throttle lever	1
(18)	UG.809	JOINT, sump to gearbox	1	(37)	K.9008/Z	WASHER, bolt, selector lever	1
(19)	UG.808	JOINT, cover	1	(38)	K.9012/Z	WASHER, screw, rear flywheel casing	4
(20)	RG.8169	LEVER, SELECTOR—ASSY.	1	(39)	K.4410/Z	WASHER, screw, sump	12
(21)	UE.8024	LEVER, throttle control	1				

R.H. cars

GEARBOX CASING
(ALUMINIUM FLYWHEEL CASING)
SPRING DRIVE TYPE REAR PUMP