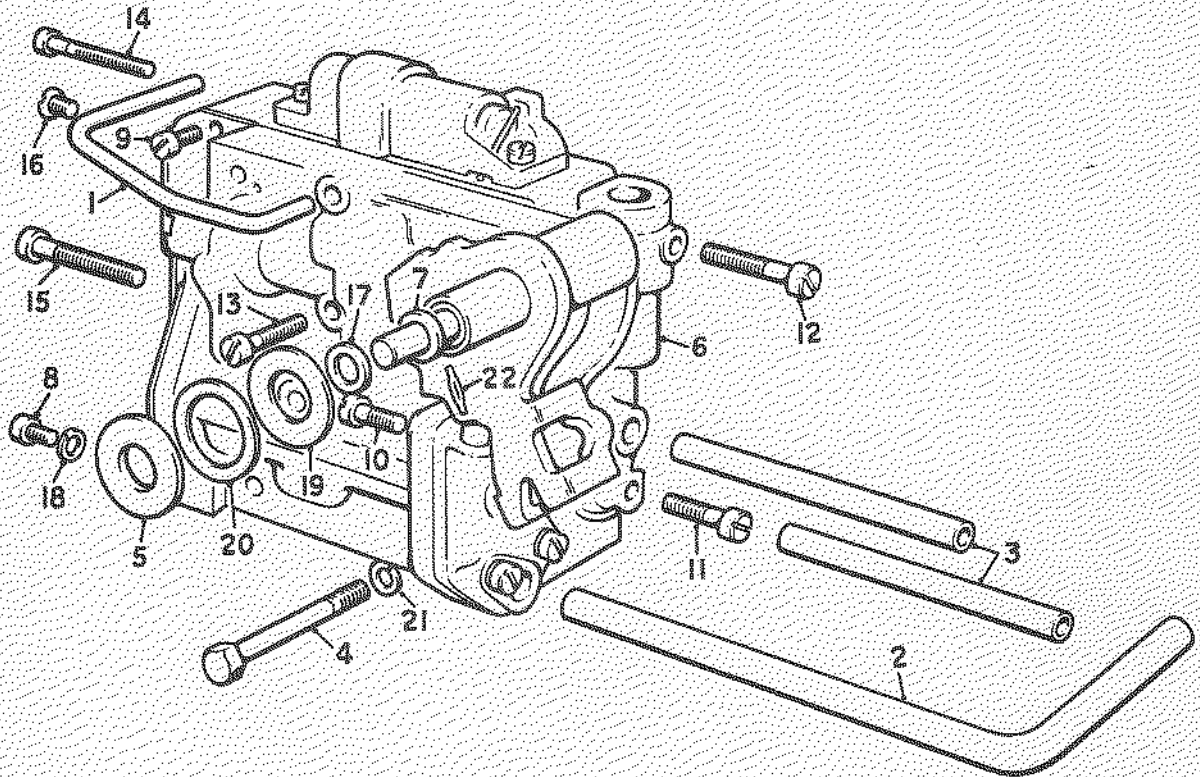


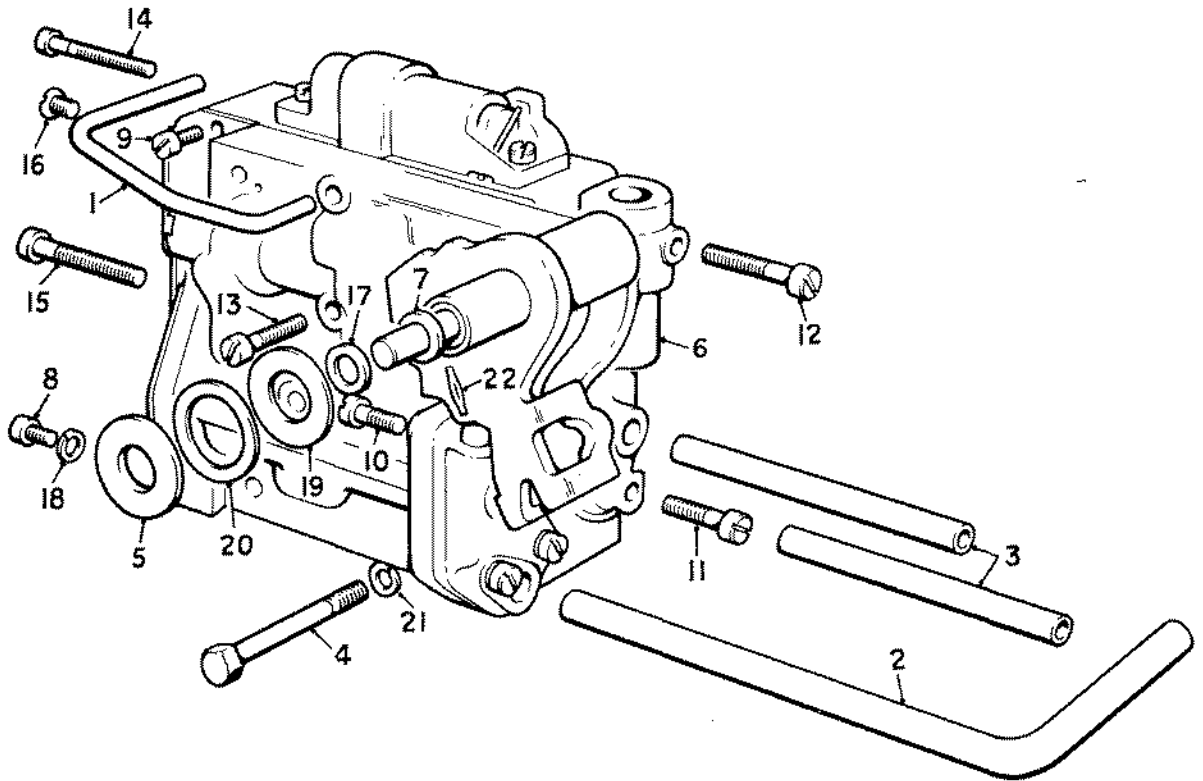
SECTION A.
CONTROL VALVE
GEARBOX SERIES

TITLE		PAGE
CONTROL VALVE	C. SM. (ALL)	A.1
	T.	A.2



Ref.	Part No.	Description	No. off	Ref.	Part No.	Description	No. off
(1)	UG.593	PIPE, pressure control valve	1	(12)	UG.678	SCREW, 3-4 overspeed valve body	2
(2)	UG.310	PIPE, reverse clutch	1	(13)	UG.649	SCREW, outer body	2
(3)	UG.103	PIPE, governor sleeve	2		UG.649	SCREW, selector plunger body	1
(4)	UA.115/R	SCREW, control valve unit	4	(14)	UG.718	SCREW, front body	2
(5)	UG.130	SEAL, oil	1	(15)	UG.707	SCREW, front body	1
(6)	UG.780	UNIT, CONTROL VALVE—ASSY.	1	(16)	UG.710	SCREW, 3-2 lock valve	2
		Ball, valve, T.2, non-return	1	(17)	UG.451	WASHER, selector control and throttle valve levers. As reqd.	
		Gearboxes with 1st speed start					
	UG.1474	UNIT, CONTROL VALVE—ASSY.	1	(18)	UG.1316	WASHER, screw, compensator valve	3
	UG.1600	UNIT, CONTROL VALVE—ASSY.	1		UG.1316	WASHER, screw, front cover plate	3
	UG.1916	UNIT, CONTROL VALVE—ASSY.	1		UG.1316	WASHER, screw, front body	3
	UG.2417	UNIT, CONTROL VALVE—ASSY.	1		UG.1316	WASHER, screw, outer body	2
		Gearboxes with 2nd speed start			UG.1316	WASHER, screw, 3-4 overspeed valve body	3
(7)	UG.141	RING, sealing, throttle lever shaft	1		UG.1316	WASHER, screw, selector plunger body	3
(8)	UG.719	SCREW, compensator valve	3		UG.1316	WASHER, screw, 3-2 timing valve body	2
(9)	UG.617	SCREW, front cover plate	3	(19)	UG.216	WASHER, inner, selector lever	1
	UG.617	SCREW, 3-2 timing valve body	2	(20)	UG.214	WASHER, outer, selector lever	1
(10)	UG.647	SCREW, selector plunger body	1	(21)	K.9008/R	WASHER, screw, control valve unit	4
(11)	UG.648	SCREW, 3-4 overspeed valve body	1	(22)	UG.743	PIN, levers	1
	UG.648	SCREW, selector plunger body	1				

CONTROL VALVE



Ref.	Part No.	Description	No. off	Ref.	Part No.	Description	No. off
(1)	UG.593	PIPE, control valve	1	(14)	UG.718	SCREW, front body	2
(2)	UG.310	PIPE, reverse clutch	1	(15)	UG.707	SCREW, front body	1
(3)	UG.103	PIPE, governor sleeve	2	(16)	UG.710	SCREW, 3-2 lock valve	2
(4)	UA.115/R	SCREW, control valve unit	4	(17)	UG.451	WASHER, retaining pin	As reqd.
(5)	UG.130	SEAL, oil	1	(18)	UG.1316	WASHER, screw, compensator valve	3
(6)	UG.3799	UNIT, CONTROL VALVE—ASSY.	1		UG.1316	WASHER, screw, front cover plate	3
(7)	UG.141	RING, sealing, throttle lever shaft	1		UG.1316	WASHER, screw, front body	3
(8)	UG.719	SCREW, compensator valve	3		UG.1316	WASHER, screw, outer body	2
(9)	UG.617	SCREW, front cover plate	3		UG.1316	WASHER, screw, 3-4 overspeed valve body	3
	UG.617	SCREW, 3-2 timing valve body	2		UG.1316	WASHER, screw, selector plunger body	3
(10)	UG.647	SCREW, selector plunger body	1		UG.1316	WASHER, screw, 3-2 timing valve body	2
(11)	UG.648	SCREW, 3-4 overspeed valve body	1	(19)	UG.216	WASHER, inner	1
	UG.648	SCREW, selector plunger body	1	(20)	UG.214	WASHER, outer	1
(12)	UG.678	SCREW, 3-4 overspeed valve body	2	(21)	K.9008/R	WASHER, screw, control valve unit	4
(13)	UG.649	SCREW, outer body	2	(22)	UG.743	PIN, retaining	1
	UG.649	SCREW, selector plunger body	2				

CONTROL VALVE