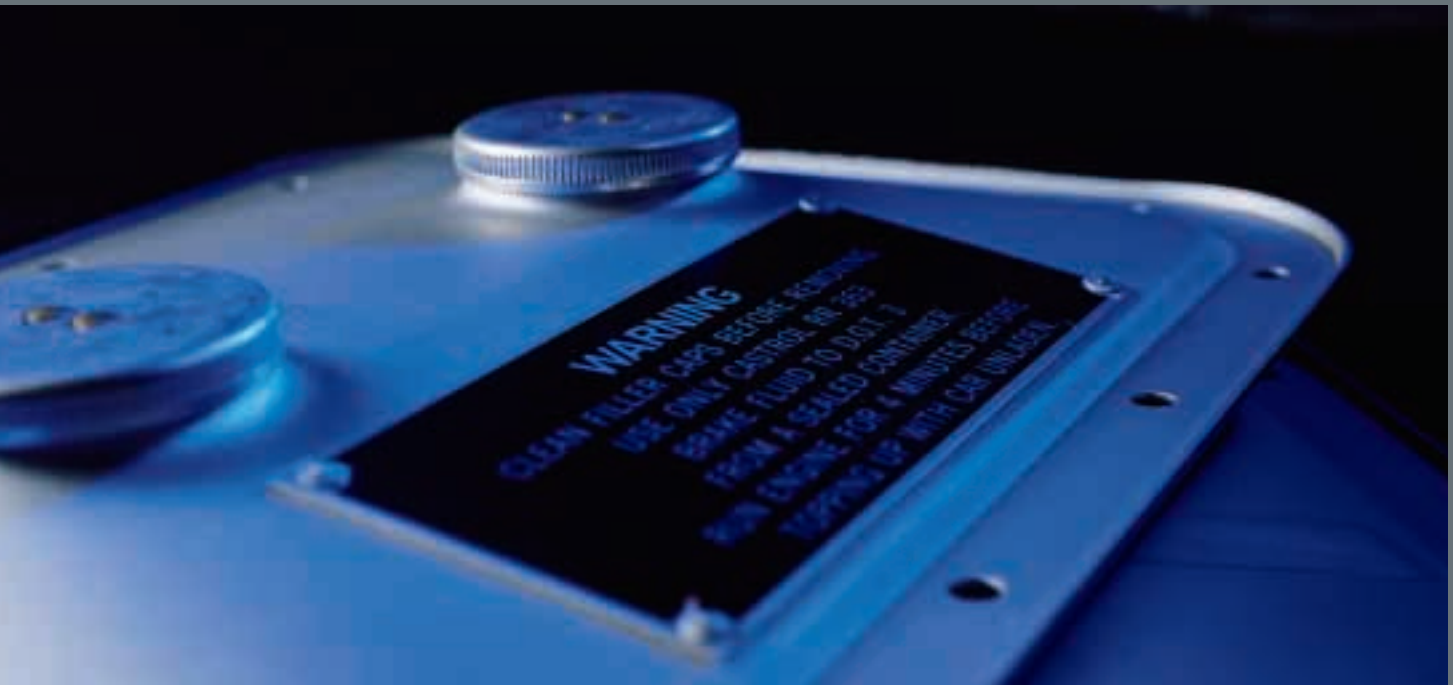




GENUINE REPLACEMENT PARTS



HYDRAULIC COMPONENTS
RR 363 BRAKE FLUID
1965-1980

APPLICABLE TO ALL MARKETS

GENUINE REPLACEMENT HYDRAULIC COMPONENTS FOR ROLLS-ROYCE & BENTLEY MOTOR CARS 1965-1980



Rolls-Royce

MODEL	CHASSIS NUMBER RANGE		PRODUCTION DATES		FRONT RAMS	ACTUATION ASSY	REAR RAMS	REAR CALIPERS	ACCUMULATORS & PUMPS	FRONT CALIPERS
SILVER SHADOW	1001	4127	1965	1968	A Aa Ac	B Ba	C Ca	D	E	F Fa
	4128	7055	1968	1969	A Ab Ac	B Ba	C Cb	D	E	F Fa
	7056	7403	1969	1969	A Ab Ac	B Ba	C Cb	D	E	F Fb
	7404	19197	1969	1975	A Ab	B Ba	C Cb	D	E	F Fb
	19198	26700	1975	1976	A Ab	B	C Cb	D	E	F Fb
Two-Door Saloon James Young Mulliner Park Ward	1067	2269	1965	1966	A Aa Ac	B Ba	C Ca	D	E	F Fa
	1148	4127	1966	1968	A Aa Ac	B Ba	C Ca	D	E	F Fa
	4128	7055	1968	1969	A Ab Ac	B Ba	C Cb	D	E	F Fa
	7056	7403	1969	1969	A Ab Ac	B Ba	C Cb	D	E	F Fb
	7404	9769	1969	1971	A Ab	B Ba	C Cb	D	E	F Fb
Drophead Coupe	1698	4127	1967	1968	A Aa Ac	B Ba	C Ca	D	E	F Fa
	4128	7055	1968	1969	A Ab Ac	B Ba	C Cb	D	E	F Fa
	7056	7403	1969	1969	A Ab Ac	B Ba	C Cb	D	E	F Fb
	7404	9769	1969	1971	A Ab	B Ba	C Cb	D	E	F Fb
	19198	26691	1975	1976	A Ab	B	C Cb	D	E	F Fb
Long Wheelbase	1467	4127	1967	1968	A Aa Ac	B Ba	C Ca	D	E	F Fa
	4128	7055	1968	1969	A Ab Ac	B Ba	C Cb	D	E	F Fa
	7056	7403	1969	1969	A Ab Ac	B Ba	C Cb	D	E	F Fb
	7404	19197	1969	1975	A Ab	B Ba	C Cb	D	E	F Fb
	19198	26691	1975	1976	A Ab	B	C Cb	D	E	F Fb
SILVER SHADOW II	30001	41686	1977	1980	A Ab	B	C Cb	D	E	F Fb
SILVER WRAITH II	30001	41686	1977	1980	A Ab	B	C Cb	D	E	F Fb
CORNICHE Convertible	9919	19197	1971	1975	A Ab	B Ba	C Cb	D	E	F Fb
	19198	41686	1975	1979	A Ab	B	C Cb	D	E	F Fb
	9770	19197	1971	1975	A Ab	B Ba	C Cb	D	E	F Fb
	19198	41686	1975	1979	A Ab	B	C Cb	D	E	F Fb
CAMARGUE	14674	19197	1974	1975	A Ab	B Ba	C Cb	D	E	F Fb
	19198	41686	1975	1979	A Ab	B	C Cb	D	E	F Fb

Bentley

MODEL	CHASSIS NUMBER RANGE		PRODUCTION DATES		FRONT RAMS	ACTUATION ASSY	REAR RAMS	REAR CALIPERS	ACCUMULATORS & PUMPS	FRONT CALIPERS
T	1001	4127	1965	1968	A Aa Ac	B Ba	C Ca	D	E	F Fa
	4128	7055	1968	1969	A Ab Ac	B Ba	C Cb	D	E	F Fa
	7056	7403	1969	1969	A Ab Ac	B Ba	C Cb	D	E	F Fb
	7404	19197	1969	1975	A Ab	B Ba	C Cb	D	E	F Fb
	19198	26700	1975	1976	A Ab	B	C Cb	D	E	F Fb
Two-Door Saloon James Young Mulliner Park Ward	1342	2278	1965	1966	A Aa Ac	B Ba	C Ca	D	E	F Fa
	1149	4127	1966	1968	A Aa Ac	B Ba	C Ca	D	E	F Fa
	4128	7055	1968	1969	A Ab Ac	B Ba	C Cb	D	E	F Fa
	7056	7403	1969	1969	A Ab Ac	B Ba	C Cb	D	E	F Fb
	7404	9766	1969	1971	A Ab	B Ba	C Cb	D	E	F Fb
Drophead Coupe	3049	4127	1967	1968	A Aa Ac	B Ba	C Ca	D	E	F Fa
	4128	7055	1968	1969	A Ab Ac	B Ba	C Cb	D	E	F Fa
	7056	7403	1969	1969	A Ab Ac	B Ba	C Cb	D	E	F Fb
	7404	9539	1969	1971	A Ab	B Ba	C Cb	D	E	F Fb
T2	30001	41686	1977	1980	A Ab	B	C Cb	D	E	F Fb
CORNICHE Convertible	9919	19197	1971	1975	A Ab	B Ba	C Cb	D	E	F Fb
	19198	41686	1975	1979	A Ab	B	C Cb	D	E	F Fb
	9770	19197	1971	1975	A Ab	B Ba	C Cb	D	E	F Fb
Two-Door Saloon	19198	41686	1975	1979	A Ab	B	C Cb	D	E	F Fb

Warning

Use only Castrol RR 363 Brake Fluid from a sealed container to replenish the braking and levelling systems. Under no circumstances should a mineral oil be substituted for the genuine fluid. Brake fluid available in one litre cans. Part Number RR 363L1.

Avertissement

Utiliser uniquement du liquide pour freins Castrol RR363 provenant d'un récipient fermé pour remplir les systèmes de freinage et de mise à niveau. Ne jamais remplacer le liquide original par de l'huile minérale. Le liquide pour freins est disponible en boîtes de 1 litre. Part Number RR 363L1.

Achtung

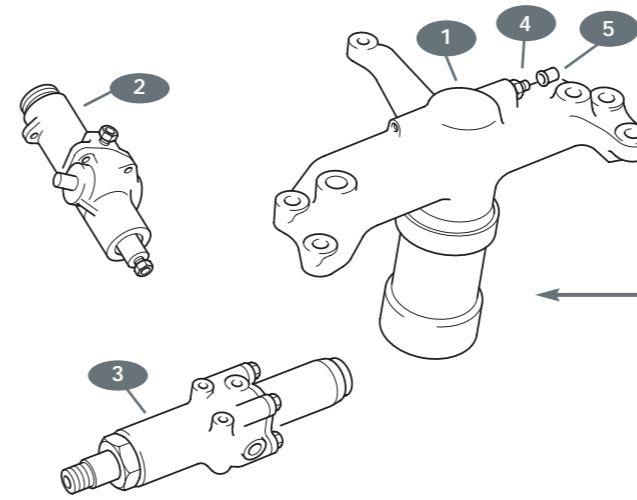
Zum Nachfüllen der Brems- und Niveauregelungsanlage nur Castrol RR363 Bremsflüssigkeit verwenden. Auf keinen Fall darf anstelle der Originalflüssigkeit ein Mineralöl verwendet werden. Bremsflüssigkeit ist in Ein-Liter-Dosen erhältlich. Part Number RR 363L1.

Attenzione

Usare soltanto il liquido per freni Castrol RR363 proveniente da un contenitore stagno per riempire l'impianto frenante e quello di livellamento. In nessun caso, il fluido originale deve essere sostituito con un olio minerale. Il liquido per freni è disponibile in lattine da 1 litro. Part Number RR 363L1.

Advertencia

Utilice solamente líquido de frenos Castrol RR363 de un recipiente cerrado para rellenar el sistema de frenos y de altura. Bajo ningún concepto se deberá sustituir el líquido original por aceite mineral. El líquido de frenos está disponible en envases de 1 litro. Part Number RR 363L1.



A

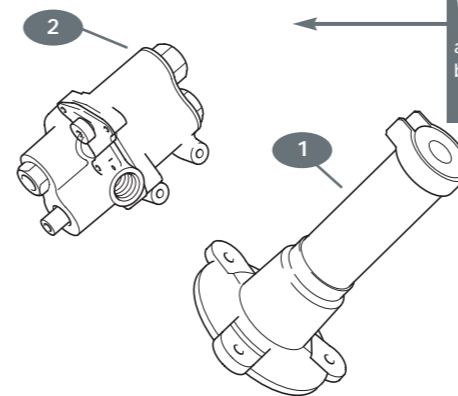
- a 1. RH2440 KIT SEAL-FRONT RAM
- b 1. RH2714 KIT SEAL-FRONT RAM
- c 2. RH2437 KIT SEAL-FRONT HEIGHT CONTROL VALVE
- 3. RH2439 KIT SEAL-ROLL RESTRICTOR VALVE
- 4. UR73635 BLEED SCREW
- 5. UG2427 DUST CAP

B

- a 1. UR13167 ASSY MASTER CYLINDER
- a 1. CD4151 SERVICE KIT-MASTER CYLINDER
- 2. UR15984 ASSY LIMITING VALVE
- 2. CD4820 SERVICE KIT-LIMITING VALVE
- 3. UR19480 ASSY VALVE DISTRIBUTION LOWER
- 4. UR19481 ASSY VALVE DISTRIBUTION UPPER
- 5. UR15669 DISTRIBUTION VALVE CAP
- 6. UR73635 BLEED SCREW
- 7. UG2427 DUST CAP

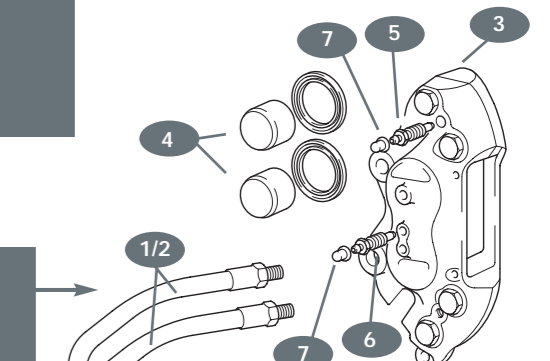
C

- a 1. RH2440 KIT SEAL-REAR RAM
- b 1. RH2714 KIT SEAL-REAR RAM
- 2. RH2436 KIT SEAL-REAR HEIGHT CONTROL VALVE



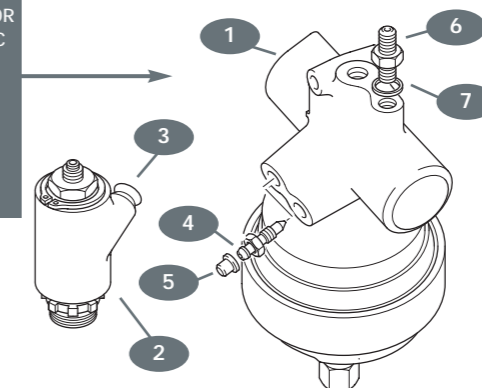
D

- 1. CD6244 BRAKE HOSE-LHR
- 1. CD6249 BRAKE HOSE-LHR
- 2. CD6247 BRAKE HOSE-RHR
- 2. CD6248 BRAKE HOSE-RHR
- 3. CD6287 SERVICE KIT-REAR CALIPER
- 4. CD4074 PISTON-11 BORE
- 4. CD4148 BOOT-11 BORE
- 4. CD6283 PISTON & BOOT-14 BORE
- 5. UG12324 BLEED SCREW
- 6. UR73635 BLEED SCREW
- 7. UG2427 DUST CAP



E

- 1. RH2390 ASSY ACCUMULATOR BOWL
- 1. RH2619 KIT ACCUMULATOR
- 1. RH10067 KIT ACCUM VALVE OVERHAUL
- 1. RH10068 KIT ACCUM SPHERE OVERHAUL
- 1. RH2435 KIT SEAL BRAKE ACCUMULATOR
- 2. UE45237 ASSY BRAKE PUMP SYNTHETIC
- 2. RH2438 KIT BRAKE PUMP
- 3. UE35616 O RING - BRAKE PUMP
- 4. UR73635 BLEED SCREW
- 5. UG2427 DUST CAP
- 6. UE37292 ADAPTOR
- 7. UE10378 WASHER



F

- a 1. CD4082 SERVICE KIT-FRONT CALIPER
- b 1. CD5339 SERVICE KIT-FRONT CALIPER
- 2. CD5844 PISTON
- 3. CD6242 HOSE FRONT BRAKE CALIPERS
- 4. UG12324 BLEED SCREW
- 5. UG2427 DUST CAP

