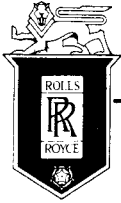


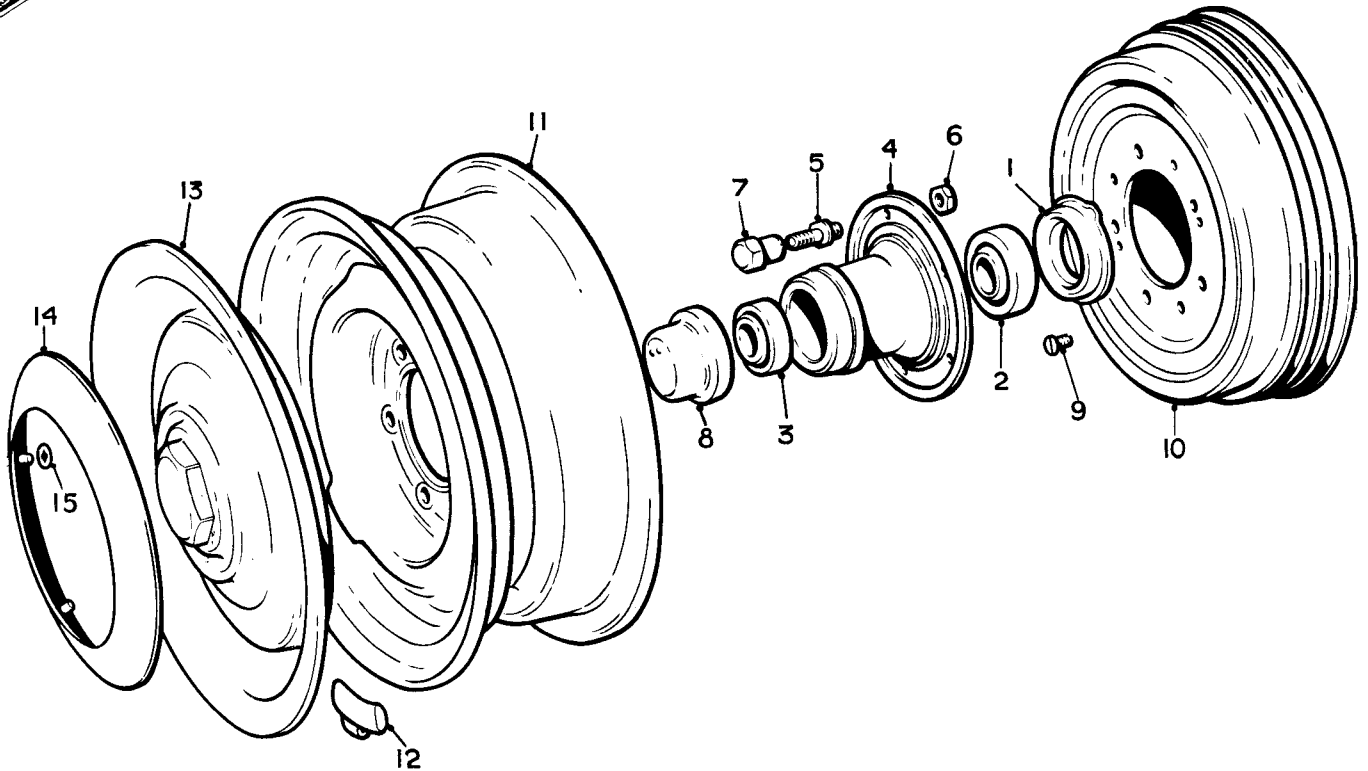
**SECTION G**  
**FRONT SUSPENSION**

<b>Title</b>	<b>Assembly</b>	<b>Page No.</b>
FRONT WHEEL AND HUB	EARLY TYPE	G. 1
	LATER TYPE	G. 2
STUB AXLE	EARLY TYPE	G. 3
	LATER TYPE	G. 4
STEERING YOKE	EARLY TYPE	G. 5
	LATER TYPE	G. 6
ROAD SPRING		G. 7
TRIANGLE LEVERS AND FULCRUM BRACKETS	EARLY TYPE	G. 8
	LATER TYPE	G. 9
FRONT SHOCK DAMPER	EARLY TYPE	G. 10
	LATER TYPE	G. 11
FRONT STABILISER		G. 12



# SPARES schedule

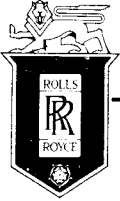
SILVER CLOUD AND BENTLEY 'S' TYPE



Ref.	Part No.	Description	No off	Ref.	Part No.	Description	No off	
(1)	UG.672	Retainer, grease, R.H.	1	(12)	UG.1460	Balance weight, .5 oz.	] As reqd.	
	UG.674	Retainer, grease, L.H.	1		UG.1461	" " 1.0 oz.		
(2)	RG.4910	Bearing, inner	2		UG.1462	" " 1.5 oz.		
(3)	RG.4911	Bearing, outer	2		UG.1463	" " 2.0 oz.		
	UG.1082	HUB, ASSEMBLY, R.H.	1		UG.1464	" " 2.5 oz.		
(4)	UG.876	Hub	1		UG.1465	" " 3.0 oz.		
(5)	UG.668	Stud	5		UG.1965	" " .7 oz.		
(6)	JA.355	Nut	5		UG.1966	" " 1.1 oz.		
	UG.1083	HUB, ASSEMBLY, L.H.	1		UG.1967	" " 1.4 oz.		
	UG.876	Hub	1		UG.1968	" " 1.8 oz.		
	UG.669	Stud	5		UG.1969	" " 2.1 oz.		
	JA.355	Nut	5		UG.1970	" " 2.8 oz.		
(7)	UG.670	Nut, wheel, R.H.	5	(13)	UG.1564	DISC, WHEEL ASSEMBLY	2	
	UG.671	Nut, wheel, L.H.	5				(R.R. cars)	
(8)	UG.676	COVER, DUST, ASSEMBLY	2		UG.1562	Disc	1	
	GB.2438	Rivet, contact	1		UG.1561	Claw ring	1	
	E.60653	Rivet, earthing strip	2		UG.1565	DISC, WHEEL ASSEMBLY	2	
	RG.1218	Spring, contact	1				(Bentley cars)	
	F.6958	Washer, contact rivet	1		UG.1563	Disc	1	
(9)	UG.673	Screw, retaining, brake drum	6		UG.1561	Claw ring	1	
(10)	UG.264	Brake drum	2	(14)	UG.1559	RING, PAINTED, ASSEMBLY	2	
	UG.2287	Brake drum	2] Alt.			UG.1560	Ring	1
(11)	UG.3068	Wheel	2] Alt.			UG.2396	Stud	6
	UG.3634	Wheel	2		(15)	UG.1608	Spine, push on, wheel disc	12

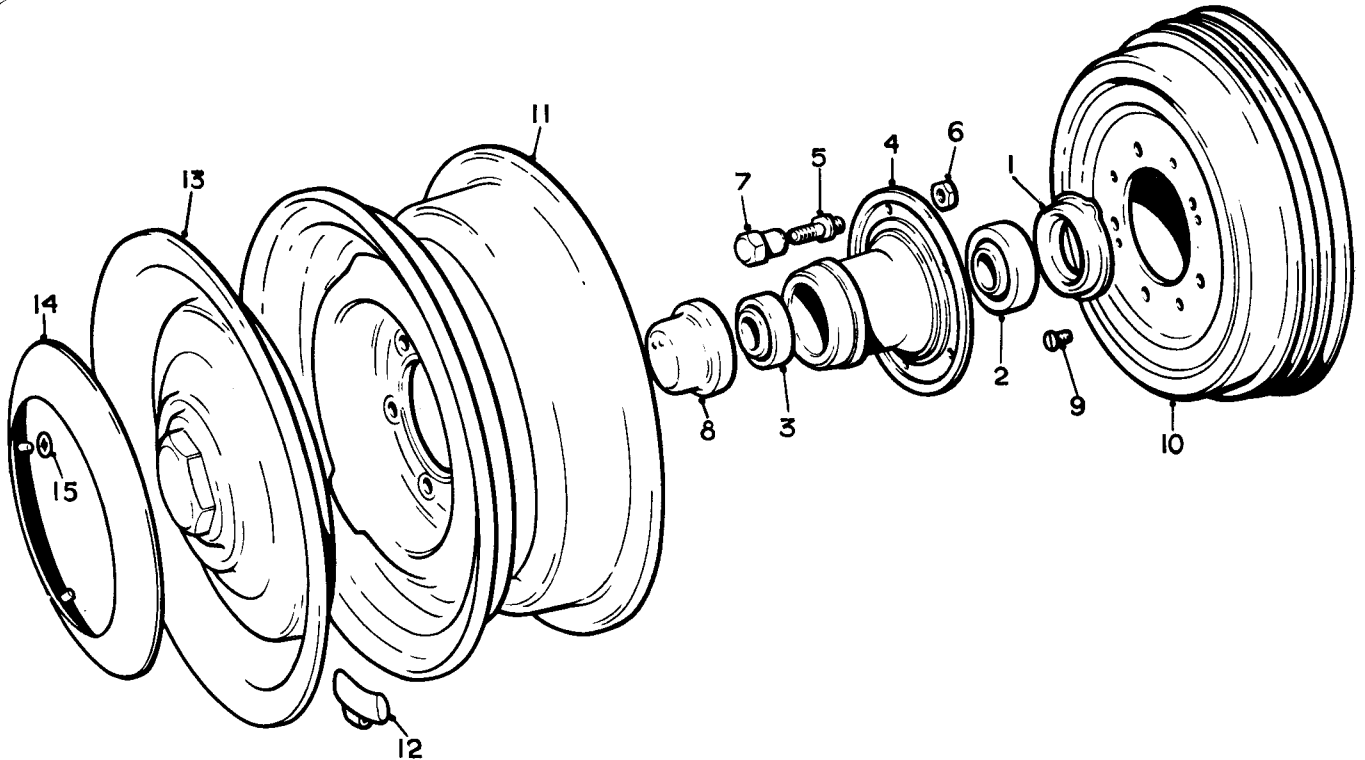
Silver Cloud	—	—	SWA.2—SHF.17
Silver Cloud L.W.B.	—	—	ALC.1—BLC.34
Bentley "S"	—	—	2.AN—65.FD
Bentley "S" L.W.B.	—	—	ALB.1—ALB.16
Bentley Continental	—	—	1.AF—4.FM

## FRONT WHEELS AND HUBS



# SPARES schedule

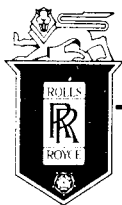
SILVER CLOUD AND BENTLEY 'S' TYPE



Ref.	Part No.	Description	No off	Ref.	Part No.	Description	No off
(1)	UG.672	Retainer, grease, R.H.	1	(12)	UG.1460	Balance weight, .5 oz.	As reqd.
	UG.674	Retainer, grease, L.H.	1	UG.1461	" " 1.0 oz.		
(2)	RG.4910	Bearing, inner	2	UG.1462	" " 1.5 oz.		
(3)	RG.4911	Bearing, outer	2	UG.1463	" " 2.0 oz.		
	UG.3410	HUB, ASSEMBLY, R.H.	1	UG.1464	" " 2.5 oz.		
(4)	UG.3407	Hub	1	UG.1465	" " 3.0 oz.		
(5)	UG.3085	Stud	5	UG.1965	" " .7 oz.		
(6)	UA.355	Nut	5	UG.1966	" " 1.1 oz.		
	UG.3411	HUB, ASSEMBLY, L.H.	1	UG.1967	" " 1.4 oz.		
	UG.3407	Hub	1	UG.1968	" " 1.8 oz.		
	UG.3086	Stud	5	UG.1969	" " 2.1 oz.		
	UA.355	Nut	5	UG.1970	" " 2.8 oz.		
(7)	UG.670	Nut, wheel, R.H.	5	(13)	UG.1564	DISC, WHEEL, ASSEMBLY	2
	UG.671	Nut, wheel, L.H.	5				R.R. cars
(8)	UG.676	COVER, DUST, ASSEMBLY	2	UG.1562	Disc	1	
	GB.2438	Rivet, contact	1	UG.1561	Claw ring	1	
	E.60653	Rivet, earthing strip	2	UG.1565	DISC, WHEEL, ASSEMBLY	2	
	RG.1218	Spring, contact	1				Bentley cars
	F.6958	Washer, contact rivet	1	UG.1563	Disc	1	
(9)	UG.673	Screw, retaining, brake drum	6	UG.1561	Claw ring	1	
(10)	UG.264	Brake drum	2	(14)	UG.1559	RING, PAINTED, ASSEMBLY	2
	UG.2287	Brake drum	2	UG.1560	Ring	1	
(11)	UG.3068	Wheel	2	UG.2396	Stud	6	
	UG.3634	Wheel	2	(15)	UG.1608	Spine, push on, wheel disc	12

Silver Cloud ... LSHF.19 onwards  
 Silver Cloud L.W.B. ... LBLC.35 onwards  
 Bentley "S" ... 65.FD onwards  
 Bentley "S" L.W.B. ... ALB.17 onwards  
 Bentley "Continental" ... BC.5.FM onwards

## FRONT WHEELS AND HUBS

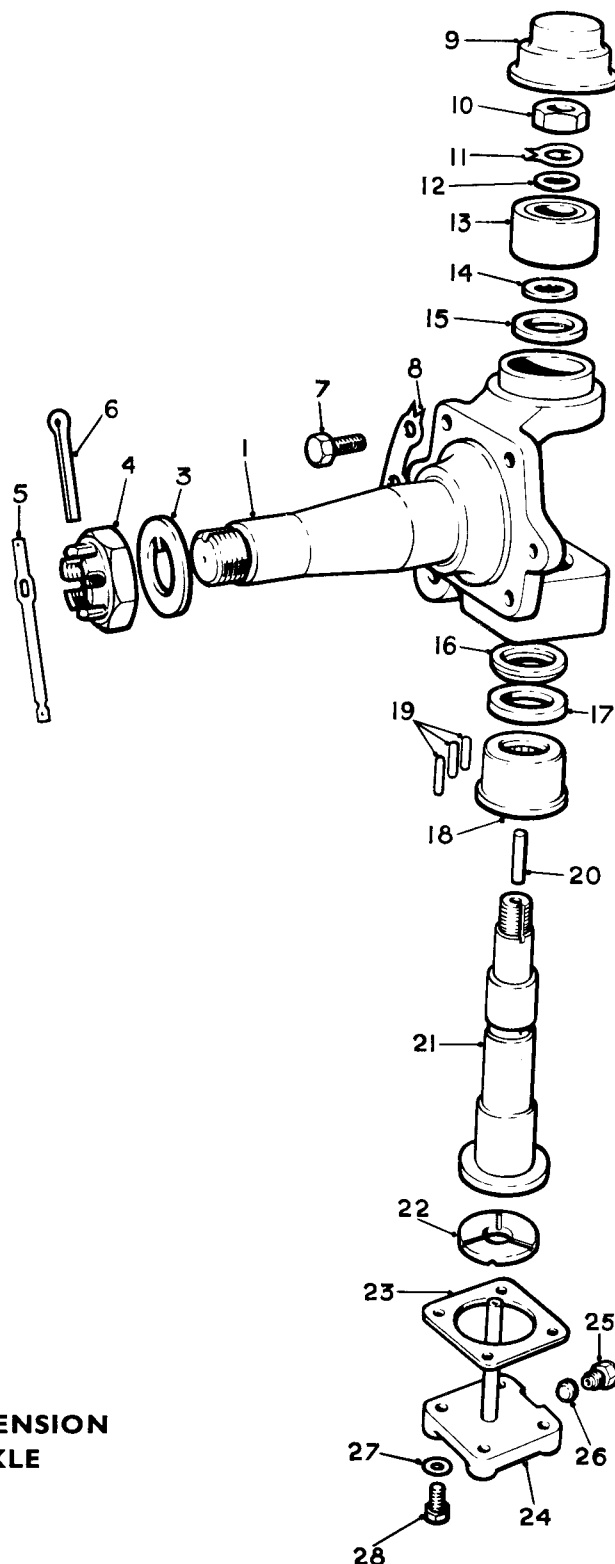


# SPARES schedule

SILVER CLOUD AND BENTLEY 'S' TYPE

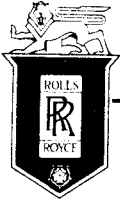


Ref.	Part No.	Description	No off
	RH.298	AXLE, PIVOT, R.H. (Stamped "S")	1
(1)	UR.4554	Axle	1
(2)	UR.4556	Distance washer	1
	RH.299	AXLE PIVOT, L.H. (Stamped "S")	1
	UR.4555	Axle	1
	UR.4556	Distance washer	1
(3)	RF.8370	Washer, axle pivot, .125"	2
	RF.8371	Washer, axle pivot, .123"	2
(4)	UR.298	Nut, castellated, R.H.	1
	UR.299	Nut, castellated, L.H.	1
(5)	UR.353	Sealing band	2
(6)	K.4628/Z	Split, pin nut	2
	UA.251/Z	Bolt, back plates	12
(8)	UG.657	Washer, tab, bolts	4
(9)	UR.349	Cover, top	2
(10)	UA.356/Z	Nut, pivot pin	2
(11)	RF.5376	Washer, tab	2
(12)	RF.8809	Washer, plain	2
(13)	RF.5438	Bearing, upper	2
	RF.8364	Bearing, upper	2
(14)	RF.5377	Washer, distance	2
(15)	RF.5378	Washer, sealing	2
(16)	GW.1960	Ring, packing, lower bearing	2
(17)	GB.2329	Washer, felt, lower bearing	2
(18)	GW.1979	Race, outer, lower	2
	RF.8366	Race, outer, lower	2
	RG.7105	Race, outer, lower	2
(19)	RF.7364	Needle rollers	68
	RF.6757	Needle rollers	68
(20)	GW.1816	Pin, oil restriction	2
(21)	UR.264	Pin, pivot	2
(22)	GW.399	Washer, friction	2
(23)	UR.1219	Washer, packing, flange	2
(24)	UR.1218	FLANGE, BOTTOM, ASSY.	2
(25)	UR.2541	Bush, threaded	2
(26)	RF.6783	Sleeve, compression	2
(27)	UA.1251/Z	Washer, retaining bolt	8
(28)	UA.105/Z	Bolt, flange	8



FRONT SUSPENSION  
STUB AXLE

Silver Cloud SWA.2—SFE.451  
 Silver Cloud L.W.B. ALC.1—18  
 Bentley "S" 2.AN—144.FA  
 Bentley "Continental" AF.1—EL.12

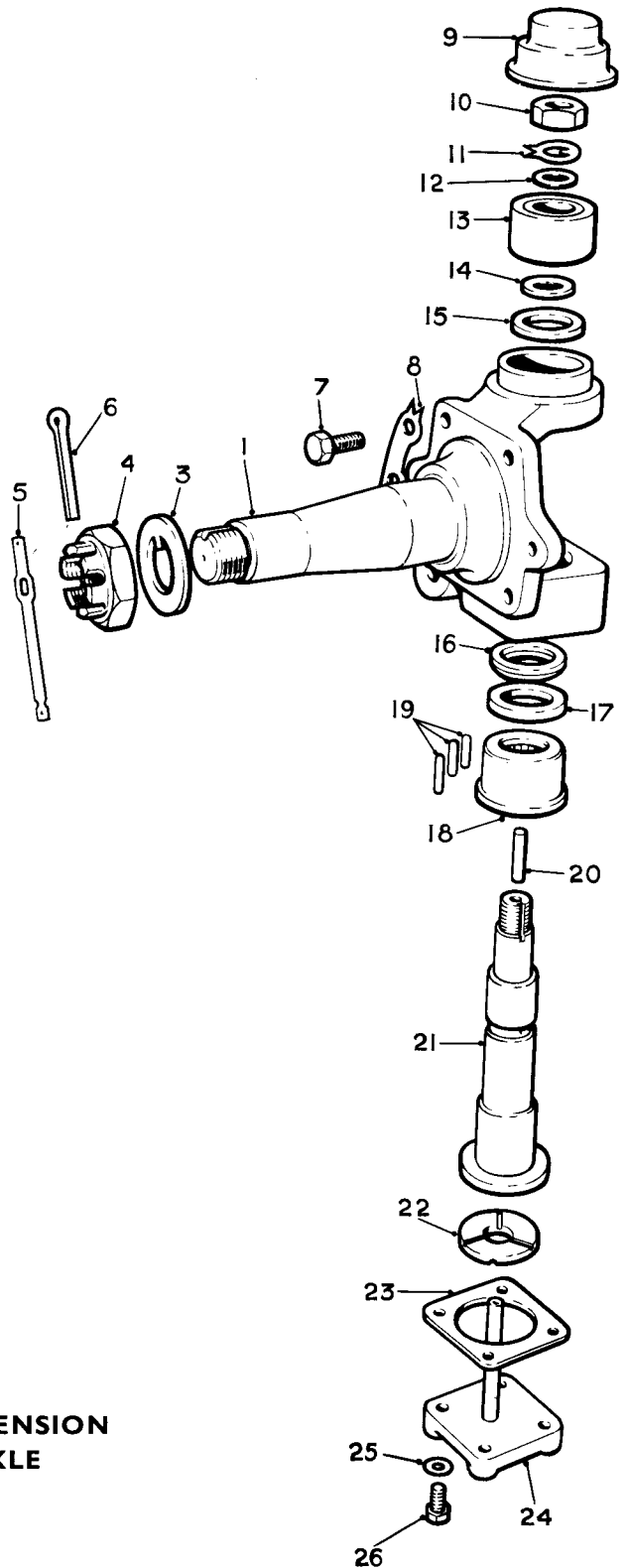


# SPARES schedule

SILVER CLOUD AND BENTLEY 'S' TYPE

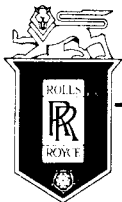


Ref.	Part No.	Description	No off
	RH.298	AXLE, PIVOT, R.H. (Stamped "S")	1
(1)	UR.4554	Axle	1
(2)	UR.4556	Distance washer	1
	RH.299	AXLE PIVOT, L.H. (Stamped "S")	1
	UR.4555	Axle	1
	UR.4556	Distance washer	1
(3)	RF.8370	Washer, axle pivot, .125"	2
	RF.8371	Washer, axle pivot, .123"	2
(4)	UR.298	Nut, castellated, R.H.	1
	UR.299	Nut, castellated, L.H.	1
(5)	UR.353	Sealing band	2
(6)	K.4628/Z	Split, pin nut	2
	UA.251/Z	Bolt, back plates	12
(8)	UG.657	Washer, tab, bolts	4
(9)	UR.349	Cover, top	2
(10)	UA.356/Z	Nut, pivot pin	2
(11)	RF.5376	Washer, tab	2
(12)	RF.8809	Washer, plain	2
(13)	RF.5438	Bearing, upper	2
	RF.8364	Bearing, upper	2
(14)	RF.5377	Washer, distance	2
(15)	RF.5378	Washer, sealing	2
(16)	GW.1960	Ring, packing, lower bearing	2
(17)	GB.2329	Washer, felt, lower bearing	2
(18)	GW.1979	Race, outer, lower	2
	RF.8366	Race, outer, lower	2
	RG.7105	Race, outer, lower	2
(19)	RF.7364	Needle rollers	68
	RF.6757	Needle rollers	68
(20)	GW.1816	Pin, oil restriction	2
(21)	UR.264	Pin, pivot	2
(22)	GW.399	Washer, friction	2
(23)	UR.1219	Washer, packing, flange	2
(24)	UR.4524	FLANGE, BOTTOM, ASSEMBLY	2
(25)	UA.1251/Z	Washer, retaining bolt	8
(26)	UA.105/Z	Bolt, flange	8



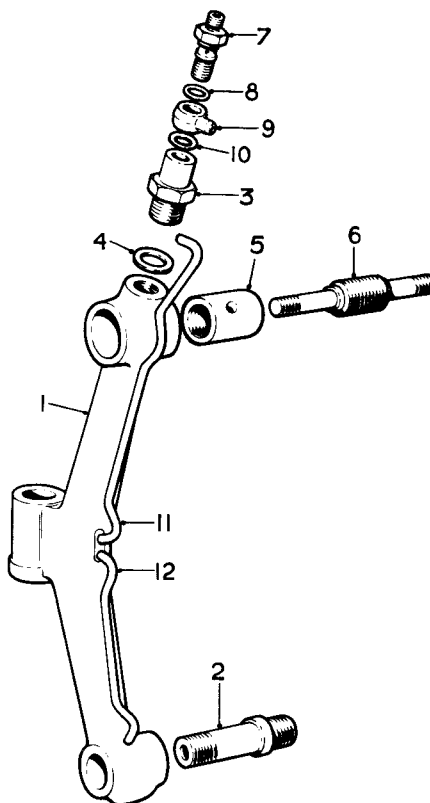
FRONT SUSPENSION  
STUB AXLE

Silver Cloud                   SFE.453 onwards  
 Silver Cloud L.W.B.       ALC.19 onwards  
 Bentley "S"                   146.FA onwards  
 Bentley "Continental"   EL.14 onwards



# SPARES schedule

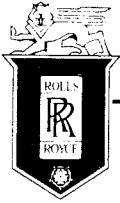
SILVER CLOUD AND BENTLEY 'S' TYPE



Ref.	Part No.	Description	No off
	RH.244	YOKE, STEERING, ASS., R.H.	1
	RH.245	YOKE, STEERING, ASS., L.H.	1
(1)	UR.4288	Yoke, R.H.	1
	UR.4289	Yoke, L.H.	1
(2)	UR.3965	Fulcrum pin	1
(3)	UR.4230	Union	1
(4)	KB.1091	Washer, Union	1
(5)	UR.4266	Bush	1
(6)	UR.3797	Fulcrum pin	1
(7)	UR.4255	Union	1
(8)	KB.1080	Washer, Union	1
(9)	UR.4231	Banjo	1
(10)	UR.4291	Washer, banjo	1
(11)	UR.4297	Pipe	1
(12)	UR.4298	Pipe	1

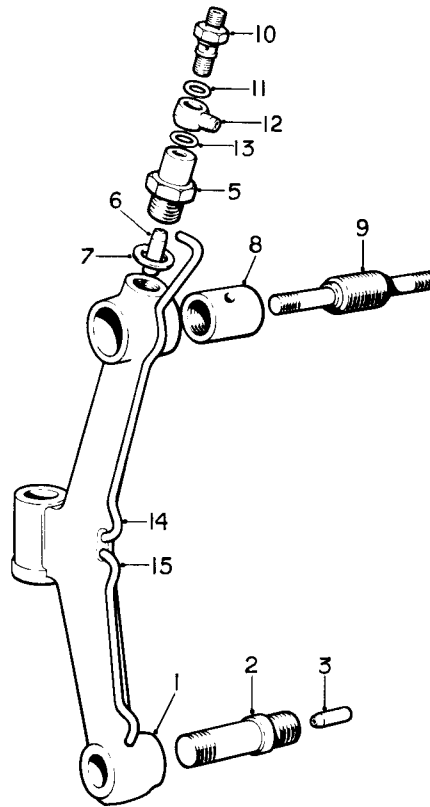
## FRONT SUSPENSION. STEERING YOKE.

Silver Cloud ... .. SWA.2—SFE.451  
 Silver Cloud L.W.B. ... ALC.1—ALC.18  
 Bentley "S" ... .. AN.2—FA.144  
 Continental ... .. BC.1AF—12.EL



# SPARES schedule

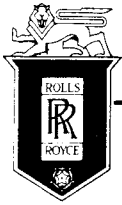
SILVER CLOUD AND BENTLEY 'S' TYPE



Ref.	Part No.	Description	No off
	UR.4294	YOKE, STEERING, ASS., R.H.	1
	UR.4295	YOKE, STEERING, ASS., L.H.	1
(1)	UR.4288	Yoke, R.H.	1
	UR.4289	Yoke, L.H.	1
	UR.3964	FULCRUM PIN ASSEMBLY	1
(2)	UR.3965	Fulcrum pin	1
(3)	UR.3974	Metor valve	1
	UR.4292	UNION ASSEMBLY	1
(5)	UR.4230	Union	1
(6)	UR.3974	Meter valve	1
(7)	KB.1091	Washer, Union	1
(8)	UR.4266	Bush	1
(9)	UR.3797	Fulcrum pin	1
(10)	UR.4255	Union	1
(11)	KB.1080	Washer, Union	1
(12)	UR.4231	Banjo	1
(13)	UR.4291	Washer, banjo	1
(14)	UR.4297	Pipe	1
(15)	UR.4298	Pipe	1

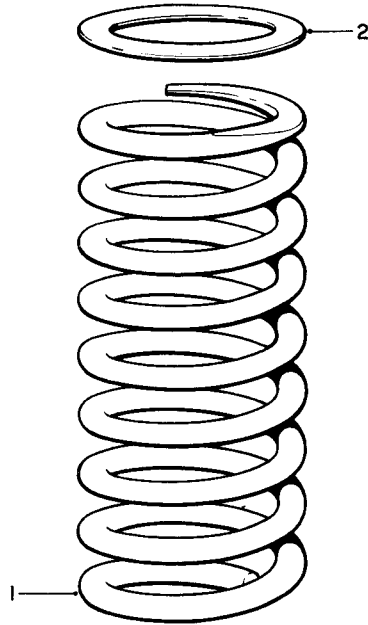
## FRONT STEERING. STEERING YOKE.

Silver Cloud ... SFE.453 onwards  
 Silver Cloud L.W.B. ... ALC.19 onwards  
 Bentley "S" ... FA.146 onwards  
 Bentley L.W.B. ... ALB.1 onwards  
 Continental ... EL.14 onwards



# SPARES schedule

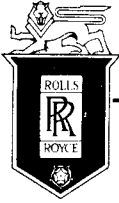
SILVER CLOUD AND BENTLEY 'S' TYPE



Ref. Part No.	Description	No off
(1) UR.1825	Spring, front suspension	2 Standard
UR.512	Spring, front suspension	2 Colonial
(2) UR.510	Washer, spring adjusting	As reqd.,

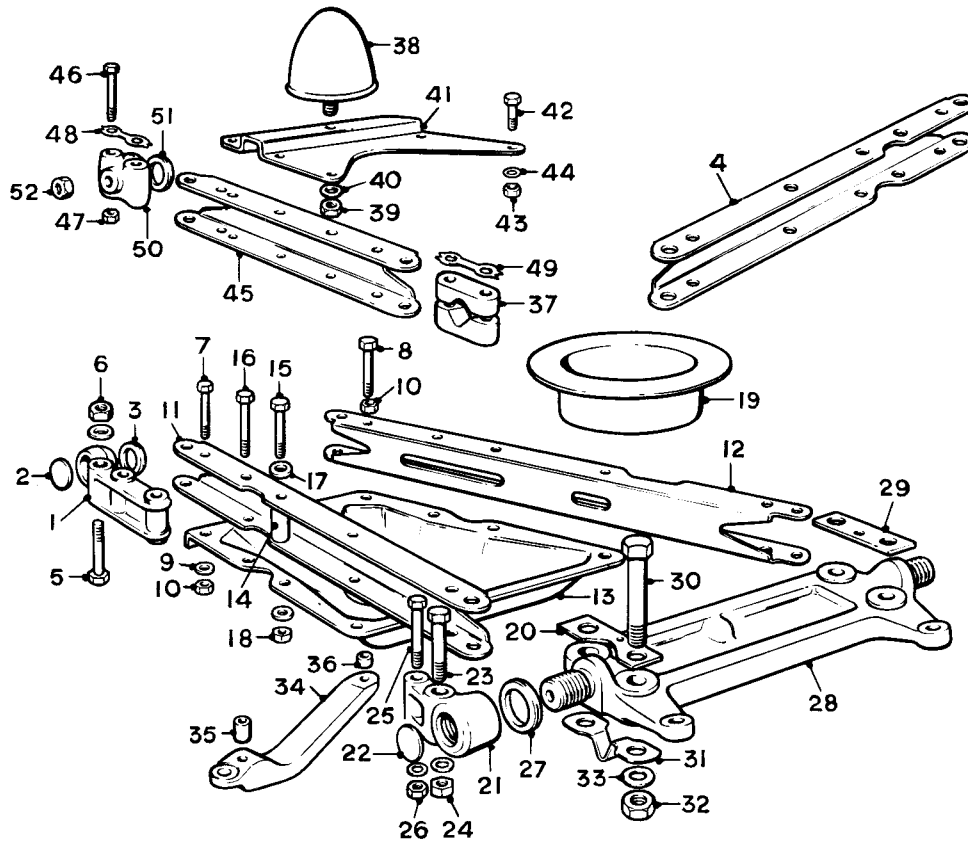
## FRONT SUSPENSION ROAD SPRINGS





# SPARES schedule

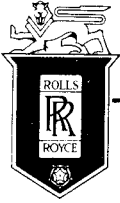
SILVER CLOUD AND BENTLEY 'S' TYPE



Ref.	Part No.	Description	No off	Ref.	Part No.	Description	No off
(1)	UR.3901	Block, bearing, lower lever	4	(27)	UR.4000	Ring, sealing, .150"	4
(2)	RF.7660	Washer, "Welch," block	4	UR.4001	Ring, sealing, .175"	4	Alt
(3)	UR.4000	Ring, sealing, .150"	4	UR.4002	Ring, sealing, .200"	4	
	UR.4001	Ring, sealing, .175"	4	(28)	UR.2742	BRACKET, FULCRUM, ASSY.	2
	UR.4002	Ring, sealing, 1.200"	4	(29)	UR.2527	Wedge, fulcrum bracket, 1 1/2°	As
(4)	UR.2311	Triangle, lever front, lower L.H.	1	UR.2528	" " " " 1°	As	reqd.
(5)	UR.782	Bolt, .500" outer bearing block	4	UR.2529	" " " " 1 1/2°	As	
(6)	UA.305/Z	Nut, bolt	4	(30)	UR.2477	Bolt, fulcrum bracket	8
(7)	UA.264/Z	Bolt, .4375" x 2.250"	2	(31)	UR.1967	Lockplate	8
(8)	UA.269/Z	Bolt, .4375" x 2.875"	2	(32)	UA.350/Z	Nut, bolt	8
(9)	UG.1977	Washer, special	2	(33)	UR.2478	Washer, bolt	8
(10)	UA.304/Z	Nut, bolts	4	(34)	UR.2297	Bracket, stabiliser attachment, L.H.	1
(11)	UR.2312	Triangle lever, front, lower R.H.	1	UR.2298	Bracket, stabiliser attachment, R.H.	1	
(12)	UR.2313	Triangle lever, rear, lower	2	(35)	UR.2314	Distance piece, bracket, front	2
(13)	UR.2339	PLATE, SPRING SUPPORT, ASSY.	2	(36)	UR.2315	Distance piece, bracket, rear	2
	UR.4927	PLATE, SPRING SUPPORT, ASSY.	2	(37)	UR.785/6	Clamp, triangle lever	4-pairs
		(Mulliner Estate Cars only)		(38)	UR.280	Buffer, rebound	2
(14)	UR.1378	Distance piece, plate	8-12	(39)	RE.22428	Nut, buffer	2
(15)	UA.216/Z	Bolt, 2.250"	10	(40)	UA.1253/Z	Washer, nut	2
(16)	UA.224/Z	Bolt, 3.500"	2	(41)	UR.687	Plate, mounting, buffer	2
(17)	UR.2165	Washer, bolt	12	(42)	UA.204/Z	Bolt, buffer plate	12
(18)	RE.22428	Nut, bolt	12	(43)	RE.22428	Nut, bolt	12
(19)	UR.511	Seating, spring	2	(44)	UA.1253/Z	Washer, nut	12
(20)	UR.2534	Wedge, bottom plate, front pan 1°	As	(45)	UR.2424	Triangle lever, upper	4
	UR.2535	" " " " " 1°	As	(46)	UA.214/Z	Bolt, triangle lever	16
	UR.2536	" " " " " 1 1/2°	reqd.	(47)	RE.22428	Nut, bolt	16
(21)	UR.543	Block, bearing, inner, lower	4	(48)	RF.7608	Lock washer, yoke end	8
(22)	RF.7660	Washer, "Welch," block	4	(49)	RF.7609	Lock washer, triangle lever end	8
(23)	UR.782	Bolt, .500", block	4	(50)	UR.2464	Block, bearing, upper lever	2
(24)	UA.305/Z	Nut, bolt	4	(51)	UR.4003	Ring, sealing, bearing block	4
(25)	UA.214/Z	Bolt, .375", block	4	(52)	UR.3796	Nut, fulcrum pin	4
(26)	RE.22428	Nut, bolt	4				

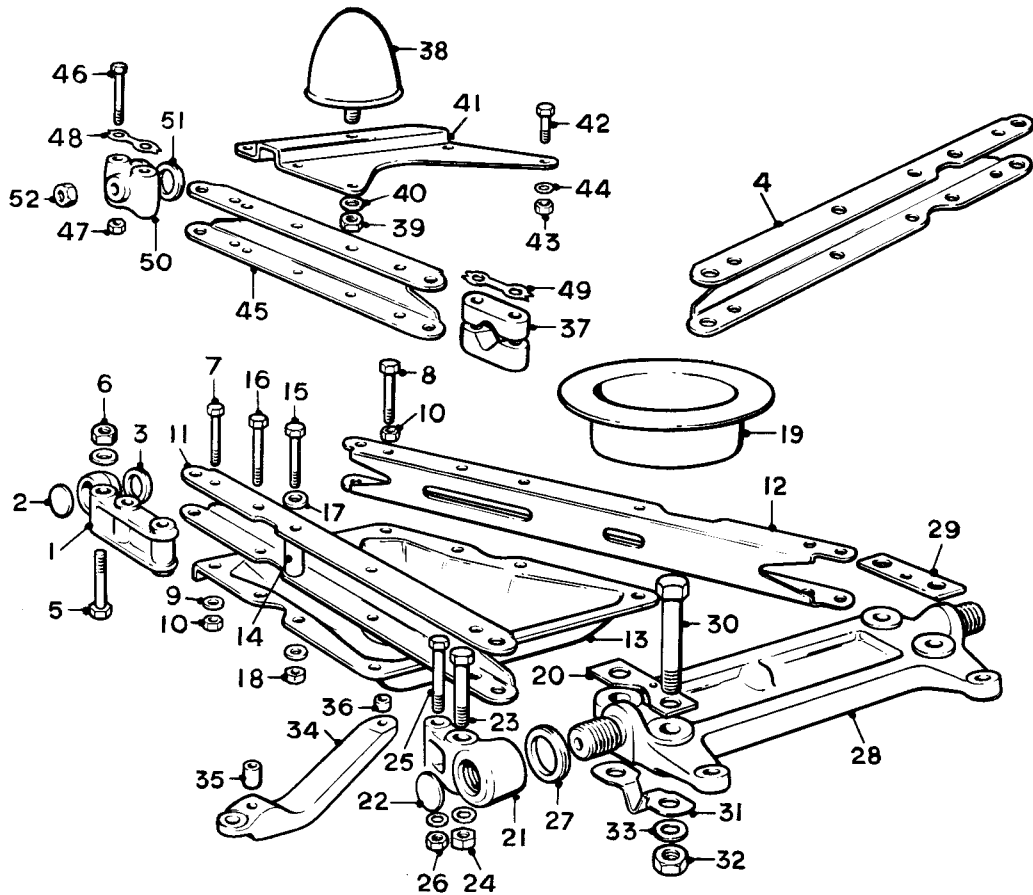
Silver Cloud	...	SWA.2—SFE.451
Silver Cloud L.W.B.	...	ALC.1—ALC.18
Bentley "S"	...	AN.2—FA.144
Continental	...	BC.1AF—12.EL

## TRIANGLE LEVERS AND FULCRUM BRACKETS



# SPARES schedule

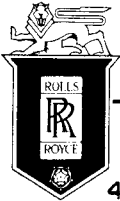
SILVER CLOUD AND BENTLEY 'S' TYPE



Ref.	Part No.	Description	No off	Ref.	Part No.	Description	No off
(1)	UR.3901	Block, bearing, lower lever	4	(27)	UR.4000	Ring, sealing	4
(2)	RF.7660	Washer, "Welch," block	4	(28)	UR.2742	<b>BRACKET, FULCRUM, ASSY.</b>	2
(3)	UR.3425	Ring, sealing	4	(29)	UR.2527	Wedge, fulcrum bracket, $\frac{1}{2}^{\circ}$	As reqd.
(4)	UR.2311	Triangle, lever front, lower L.H.	1		UR.2528	" " " " $1^{\circ}$	
(5)	UR.782	Bolt, .500" outer bearing block	4		UR.2529	" " " " $1\frac{1}{2}^{\circ}$	
(6)	UA.305/Z	Nut, bolt	4	(30)	UR.2477	Bolt, fulcrum bracket	8
(7)	UA.264/Z	Bolt, .4375" x 2.250"	2	(31)	UR.1967	Lockplate	8
(8)	UA.269/Z	Bolt, .4375" x 2.875"	2	(32)	UA.350/Z	Nut, bolt	8
(9)	UG.1977	Washer, special	2	(33)	UR.2478	Washer, bolt	8
(10)	UA.304/Z	Nut, bolts	4	(34)	UR.2297	Bracket, stabiliser attachment, L.H.	1
(11)	UR.2312	Triangle lever, front, lower R.H.	1		UR.2298	Bracket, stabiliser attachment, R.H.	1
(12)	UR.2313	Triangle lever, rear, lower	2	(35)	UR.2314	Distance piece, bracket, front	2
(13)	UR.2339	<b>PLATE, SPRING SUPPORT, ASSY.</b>	2	(36)	UR.2315	Distance piece, bracket, rear	2
	UR.4927	<b>PLATE, SPRING SUPPORT, ASSY.</b>	2	(37)	UR.785/6	Clamp, triangle lever	4-pairs
		(Mulliner Estate Cars only)		(38)	UR.280	Buffer, rebound	2
(14)	UR.1378	Distance piece, plate	8-12	(39)	RE.22428	Nut, buffer	2
(15)	UA.216/Z	Bolt, 2.250"	10	(40)	UA.1253/Z	Washer, nut	2
(16)	UA.224/Z	Bolt, 3.500"	2	(41)	UR.687	Plate, mounting, buffer	2
(17)	UR.2165	Washer, bolt	12	(42)	UA.204/Z	Bolt, buffer plate	12
(18)	RE.22428	Nut, bolt	12	(43)	RE.22428	Nut, bolt	12
(19)	UR.511	Seating, spring	2	(44)	UA.1253/Z	Washer, nut	12
(20)	UR.2534	Wedge, bottom plate, front pan $\frac{1}{2}^{\circ}$	As reqd.	(45)	UR.2424	Triangle lever, upper	4
	UR.2535	" " " " " $1^{\circ}$		(46)	UA.214/Z	Bolt, triangle lever	16
	UR.2536	" " " " " $1\frac{1}{2}^{\circ}$		(47)	RE.22428	Nut, bolt	16
(21)	UR.543	Block, bearing, inner, lower	4	(48)	RF.7608	Lock washer, yoke end	8
(22)	RF.7660	Washer, "Welch," block	4	(49)	RF.7609	Lock washer, triangle lever end	8
(23)	UR.782	Bolt, .500", block	4	(50)	UR.2464	Block, bearing, upper lever	2
(24)	UA.305/Z	Nut, bolt	4	(51)	UR.3426	Ring, sealing, bearing block	4
(25)	UA.214/Z	Bolt, .375", block	4	(52)	UR.3796	Nut, fulcrum pin	4
(26)	RE.22428	Nut, bolt	4				

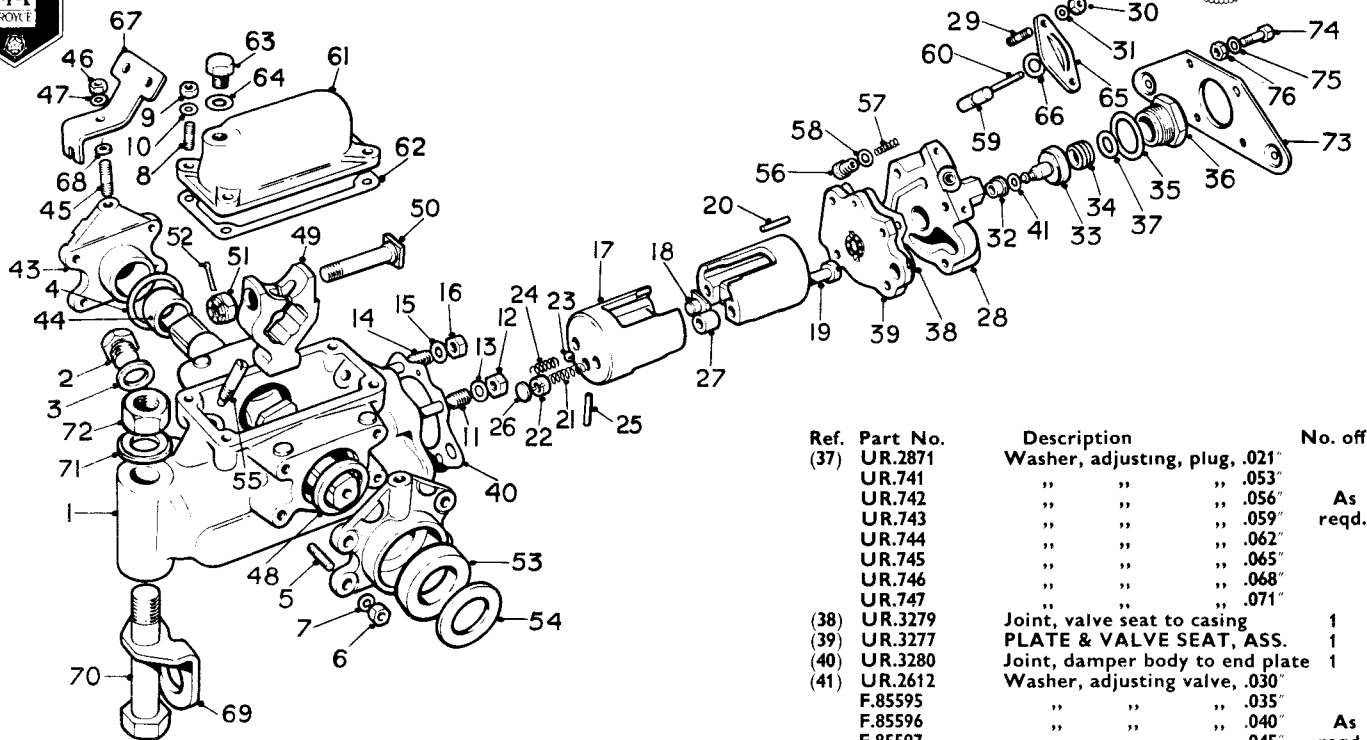
## TRIANGLE LEVERS AND FULCRUM BRACKETS

Silver Cloud ... SFE.453 onwards  
 Silver Cloud L.W.B. ... ALC.19 onwards  
 Bentley "S" ... FA.146 onwards  
 Bentley "S" ... ALB.1 onwards  
 Bentley Continental ... EL.14 onwards



# SPARES schedule

SILVER CLOUD AND BENTLEY 'S' TYPE

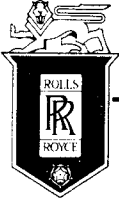


Ref.	Part No.	Description	No. off
	RH.285	<b>FRONT SHOCK DAMPER ASS.</b>	2
(1)	UR.4752	Casing	1
(2)	UA.1152/Z	Plug	1
(3)	KB.1080	Washer, plug	1
(4)	UR.4753	Ring, sealing shaft	2
(5)	UA.852/Z	Stud, bush housing	8
(6)	UA.301/Z	Nut, stud	8
(7)	UA.1251/Z	Washer, stud	8
(8)	UA.853/Z	Stud, top cover	4
(9)	UA.352/Z	Nut, stud	4
(10)	UA.1252	Washer, stud	4
(11)	UR.3281	Stud, end cover	1
(12)	UA.352/Z	Nut, stud	1
(13)	UA.1252/Z	Washer, stud	1
(14)	UR.3283	Stud, end cover	3
(15)	UA.1253/Z	Washer, stud	3
(16)	RE.22428	Nut, stud	3
	RF.7577	<b>PISTON ASSEMBLY</b>	1
(17)	RF.7563	Piston	1
(18)	RF.7579	Pad	1
(19)	F.59285	Bolt, piston	2
(20)	UR.1049	Stop pin, damper lever	1
(21)	F.59278	Spring	2
(22)	F.59282	Nut, piston bolt	2
(23)	RF.3176	Ball, stud	2
(24)	UR.2169	Spring, replenishment valve	2
(25)	K.4801	Pin, taper, piston	2
(26)	F.59279	Disc, piston	2
(27)	RF.8568	Distance piece, piston bolts	2
(28)	UR.3274	Cover, end	1
(29)	KB.252/Z	Stud, end cover, blanking plate	2
(30)	K.4006/Z	Nut, stud	2
(31)	K.4404/Z	Washer, stud	2
(32)	UR.737	Bush, end cover	1
(33)	UR.740	<b>VALVE, HIGH &amp; LOW PRESSURE, ASSEMBLY</b>	1
(34)	RF.7578	Spring, Valve	1
(35)	KB.1092	Washer, plug	1
(36)	UR.749	Plug	1

Ref.	Part No.	Description	No. off
(37)	UR.2871	Washer, adjusting, plug, .021"	
	UR.741	" " " .053"	
	UR.742	" " " .056"	As reqd.
	UR.743	" " " .059"	
	UR.744	" " " .062"	
	UR.745	" " " .065"	
	UR.746	" " " .068"	
	UR.747	" " " .071"	
(38)	UR.3279	Joint, valve seat to casing	1
(39)	UR.3277	<b>PLATE &amp; VALVE SEAT, ASS.</b>	1
(40)	UR.3280	Joint, damper body to end plate	1
(41)	UR.2612	Washer, adjusting valve, .030"	
	F.85595	" " " .035"	
	F.85596	" " " .040"	As reqd.
	F.85597	" " " .045"	
	F.85598	" " " .050"	
	F.85599	" " " .055"	
(42)	UR.784	Shaft, lever	1
	UR.974	<b>HOUSING, BUSH, ASSEMBLY</b>	2
(43)	UR.789	Housing	1
(44)	UR.787	Bush	1
(45)	UA.852	Stud	1
(46)	UA.301/Z	Nut, Stud	1
(47)	UA.1251/Z	Washer, nut	1
(48)	UR.788	Washer, adjusting, shaft end float	2
(49)	RF.7561	Lever	1
(50)	UR.690	Bolt, lever	1
(51)	UR.282	Nut, bolt	1
(52)	K.4608/Z	Split Pin	1
(53)	RF.200	Gland	2
(54)	UR.2259	Washer, gland	2
(55)	UR.828	Jet, slow leak	2
(56)	UR.750	Plug, solenoid control	1
(57)	UR.748	Spring	1
(58)	KB.1077	Washer, plug	1
(59)	UR.752	Valve, slow leak, .050" ann. gr.	
	UR.2257	" " " .060" " "	
	UR.2258	" " " .070" " "	As reqd.
	UR.2761	" " " .080" " "	
	UR.2762	" " " .090" " "	
(60)	UR.751	Push rod, slow leak valve	1
(61)	UR.825	Cover, top	1
(62)	UR.826	Joint, cover	1
(63)	UR.270	Plug, filler	1
(64)	KB.1079	Washer, joint, filler	1
(65)	UR.1509	Plate, blanking, solenoid face	1
(66)	UR.1364	Ring, sealing plate	1
(67)	UR.2851	Bracket, brake pipes	1
(68)	UR.969	Distance piece, bracket	1
(69)	UR.1802	Eye, spring, compression	2
(70)	UR.3539	Bolt, mounting, .625"	2
(71)	UR.3540	Washer, bolt	2
(72)	UA.306/Z	Nut, bolt	2
(73)	RH.684	Mounting plate	1
(74)	UA.203/Z	Bolt, mounting, 375"	4
(75)	UA.1253/Z	Washer, bolt	4
(76)	RE.22428	Nut, bolt	4

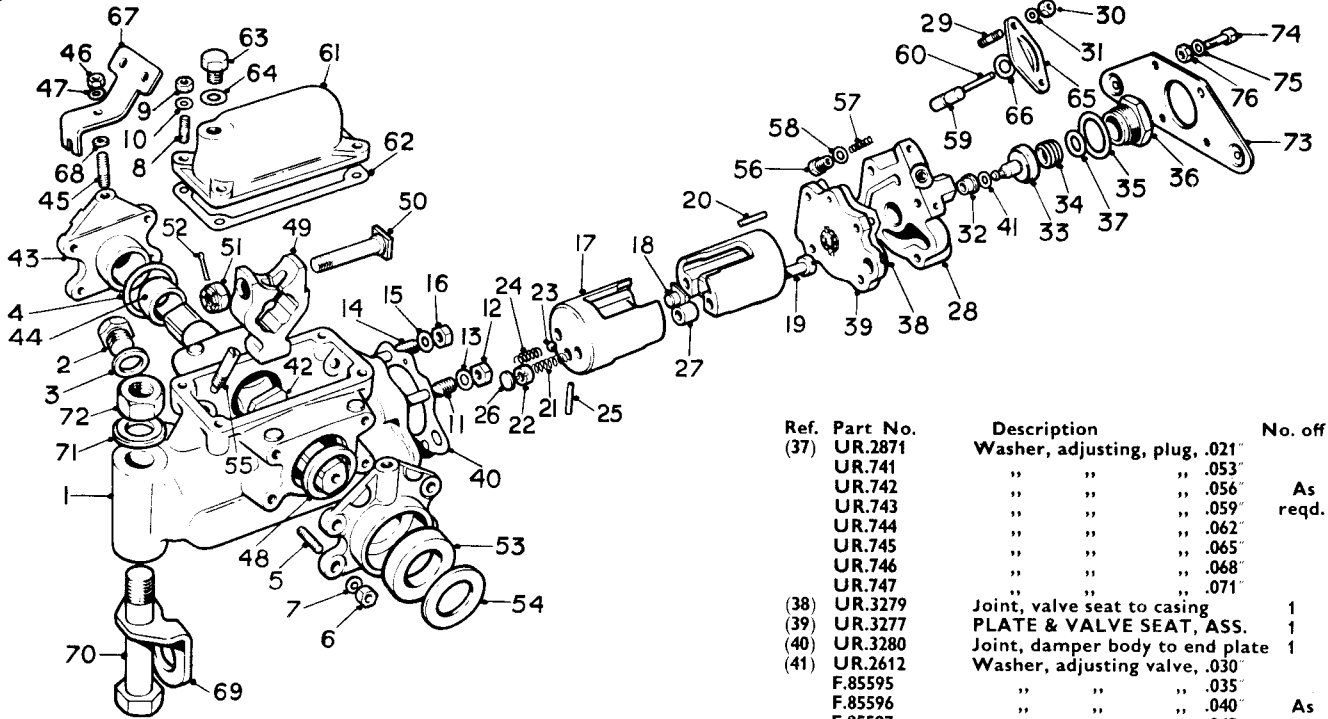
Silver Cloud ... SWA.2 - SFE - 229, 233-237, 241-251.  
 Silver Cloud L.W.B. ... AN.2 - EK. 527, 531-553.  
 Bentley "S" ... BC-AF. 1-DJ. 36, 46.

## FRONT SHOCK DAMPER



# SPARES schedule

SILVER CLOUD AND BENTLEY 'S' TYPE

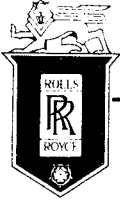


Ref.	Part No.	Description	No. off
	UR.4174	<b>FRONT SHOCK DAMPER ASS.</b>	2
(1)	UR.4752	Casing	1
(2)	UA.1152/Z	Plug	1
(3)	KB.1080	Washer, plug	1
(4)	UR.4753	Ring, sealing shaft	2
(5)	UA.852/Z	Stud, bush housing	8
(6)	UA.301/Z	Nut, stud	8
(7)	UA.1251/Z	Washer, stud	8
(8)	UA.853/Z	Stud, top cover	4
(9)	UA.352/Z	Nut, stud	4
(10)	UA.1252	Washer, stud	4
(11)	UR.3281	Stud, end cover	1
(12)	UA.352/Z	Nut, stud	1
(13)	UA.1252/Z	Washer, stud	1
(14)	UR.3283	Stud, end cover	3
(15)	UA.1253/Z	Washer, stud	3
(16)	RE.22428	Nut, stud	3
	RF.7577	<b>PISTON ASSEMBLY</b>	1
(17)	RF.7563	Piston	1
(18)	RF.7579	Pad	1
(19)	F.59285	Bolt, piston	2
(20)	UR.1049	Stop pin, damper lever	1
(21)	F.59278	Spring	2
(22)	F.59282	Nut, piston bolt	2
(23)	RF.3176	Ball, stud	2
(24)	UR.2169	Spring, replenishment valve	2
(25)	K.4801	Pin, taper, piston	2
(26)	F.59279	Disc, piston	2
(27)	RF.8568	Distance piece, piston bolts	2
(28)	UR.3274	Cover, end	1
(29)	KB.252/Z	Stud, end cover, blanking plate	2
(30)	K.4006/Z	Nut, stud	2
(31)	K.4404/Z	Washer, stud	2
(32)	UR.737	Bush, end cover	1
(33)	UR.740	<b>VALVE, HIGH &amp; LOW PRESSURE, ASSEMBLY</b>	1
(34)	RF.7578	Spring, Valve	1
(35)	KB.1092	Washer, plug	1
(36)	UR.749	Plug	1

Ref.	Part No.	Description	No. off
(37)	UR.2871	Washer, adjusting, plug, .021"	
	UR.741	" " " .053"	
	UR.742	" " " .056"	As reqd.
	UR.743	" " " .059"	
	UR.744	" " " .062"	
	UR.745	" " " .065"	
	UR.746	" " " .068"	
	UR.747	" " " .071"	
(38)	UR.3279	Joint, valve seat to casing	1
(39)	UR.3277	PLATE & VALVE SEAT, ASS.	1
(40)	UR.3280	Joint, damper body to end plate	1
(41)	UR.2612	Washer, adjusting valve, .030"	
	F.85595	" " " .035"	
	F.85596	" " " .040"	As reqd.
	F.85597	" " " .045"	
	F.85598	" " " .050"	
	F.85599	" " " .055"	
(42)	UR.784	Shaft, lever	1
	UR.974	<b>HOUSING, BUSH, ASSEMBLY</b>	2
(43)	UR.789	Housing	1
(44)	UR.787	Bush	1
(45)	UA.852	Stud	1
(46)	UA.301/Z	Nut, Stud	1
(47)	UA.1251/Z	Washer, nut	1
(48)	UR.788	Washer, adjusting, shaft end float	2
(49)	RF.7561	Lever	1
(50)	UR.690	Bolt, lever	1
(51)	UR.282	Nut, bolt	1
(52)	K.4608/Z	Split Pin	1
(53)	RF.200	Gland	2
(54)	UR.2259	Washer, gland	2
(55)	UR.828	Jet, slow leak	2
(56)	UR.750	Plug, solenoid control	1
(57)	UR.748	Spring	1
(58)	KB.1077	Washer, plug	1
(59)	UR.752	Valve, slow leak, .050" ann. gr.	
	UR.2257	" " " .060" " "	
	UR.2258	" " " .070" " "	As reqd.
	UR.2761	" " " .080" " "	
	UR.2762	" " " .090" " "	
(60)	UR.751	Push rod, slow leak valve	1
(61)	UR.825	Cover, top	1
(62)	UR.826	Joint, cover	1
(63)	UR.270	Plug, filler	1
(64)	KB.1079	Washer, joint, filler	1
(65)	UR.1509	Plate, blanking, solenoid face	1
(66)	UR.1364	Ring, sealing plate	1
(67)	UR.2851	Bracket, brake pipes	1
(68)	UR.969	Distance piece, bracket	1
(69)	UR.1802	Eye, spring, compression	2
(70)	UR.3539	Bolt, mounting, .625"	2
(71)	UR.3540	Washer, bolt	2
(72)	UA.306/Z	Nut, bolt	2
(73)	UR.3327	Mounting plate	1
(74)	UA.252/Z	Bolt, mounting, .437"	4
(75)	UA.1254/Z	Washer, bolt	4
(76)	UA.304/Z	Nut, bolt	4

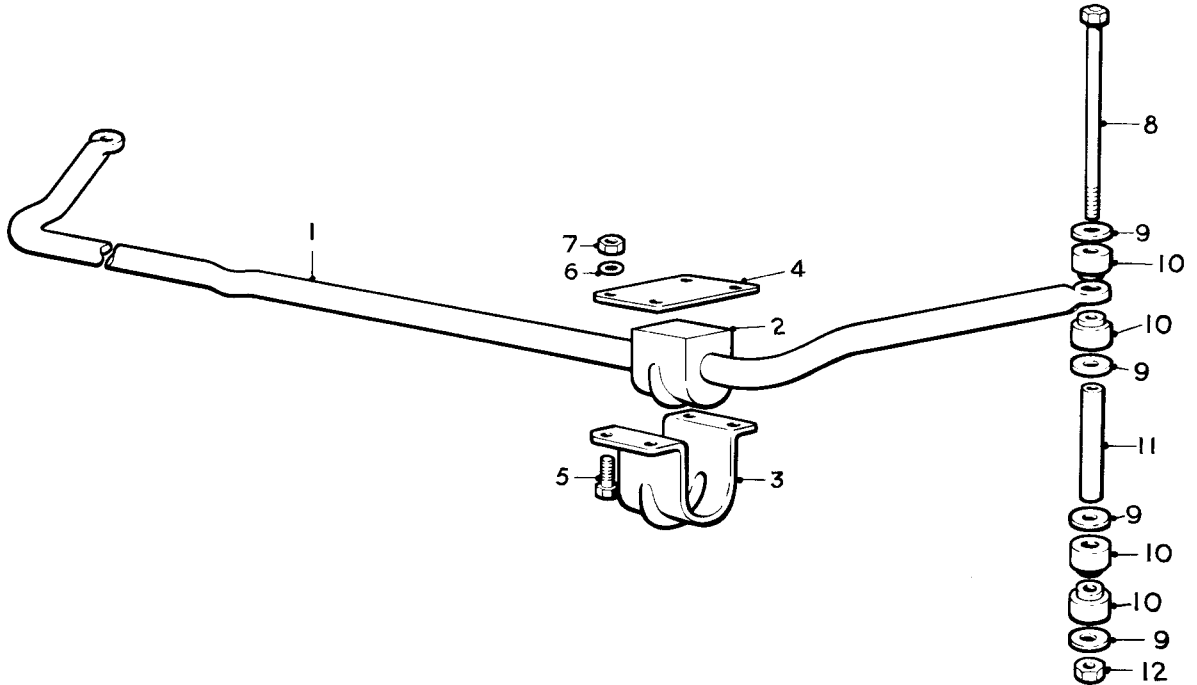
Silver Cloud ... SFE-231, 239, 253 onwards  
 Silver Cloud L.W.B. ...  
 Bentley "S" ... EK-529, 555 onwards  
 Bentley "S" L.W.B. ...  
 Bentley Continental ... BC-DJ 37-45, 47 onwards

## FRONT SUSPENSION. FRONT SHOCK DAMPER



# SPARES schedule

SILVER CLOUD AND BENTLEY 'S' TYPE



Ref.	Part No.	Description	No off
(1)	UR.1032	Rod, stabiliser	1
(2)	FW.1502	Bearing	3
(3)	UR.634	Bracket, bearings	3
(4)	UR.635	Plate, backing	3
(5)	UA.104/Z	Bolt, bearings	12
(6)	UA.1251/Z	Washer, Bolt	12
(7)	UA.301/Z	Nut, bolt	12
(8)	UR.2318	Stud, cushioning rubber	2
(9)	UR.668	Retainer, cushioning rubber	8
(10)	FW.1503	Cushioning rubber	8
(11)	UR.2319	Distance piece	2
(12)	UA.352/Z	Nut, stud	6

## FRONT SUSPENSION FRONT STABILISER