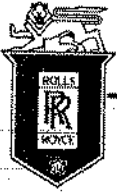


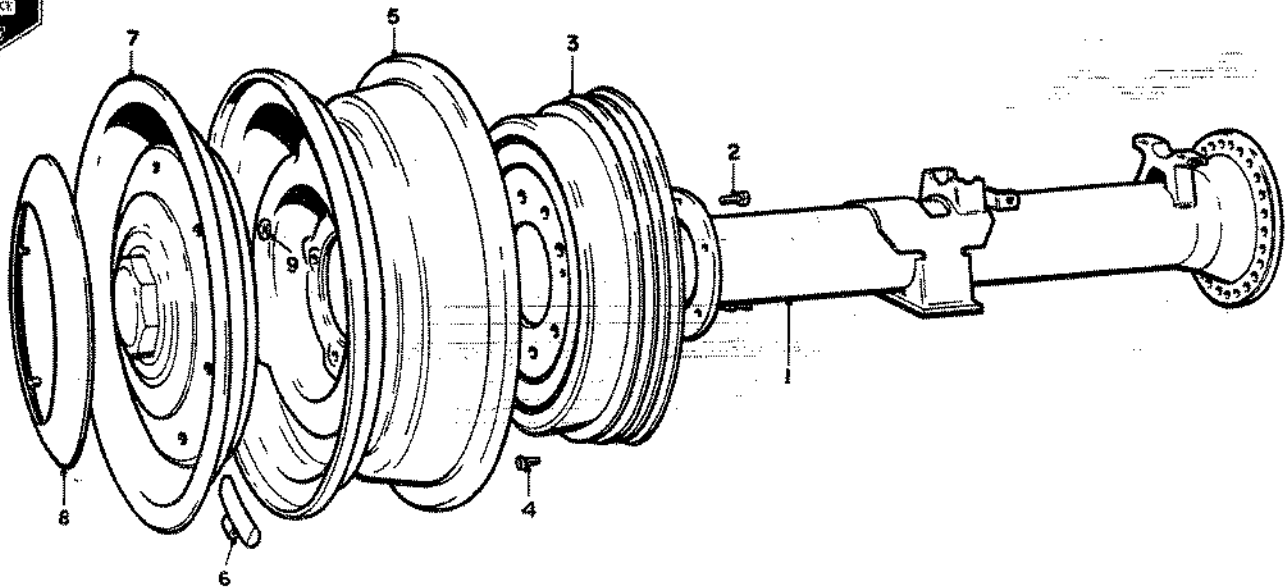
SECTION J
REAR AXLE

Title	Assembly	Page No.
AXLE TUBE, WHEEL AND BRAKE DRUM		J. 1
REAR AXLE SHAFTS	EARLY TYPE	J. 2
	INTERMEDIATE TYPE	J. 3
	LATER TYPE	J. 4
CENTRE CASING	EARLY TYPE	J. 5
	LATER TYPE	J. 6
CROWN GEARS		J. 7
DIFFERENTIAL UNIT	EARLY TYPE	J. 8
	LATER TYPE	J. 9
END PLATE	EARLY TYPE	J. 10
	LATER TYPE	J. 11



SPARES schedule

SILVER CLOUD AND BENTLEY 'S' TYPE



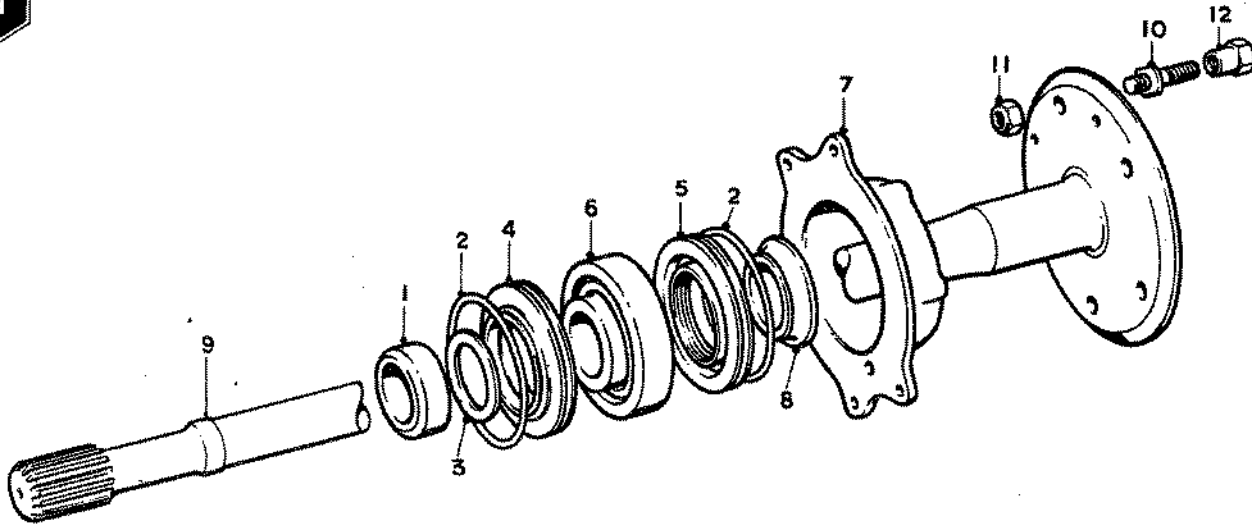
Ref.	Part No.	Description	No off
(1)	UG.2319	AXLE TUBE ASSY.—R.H.	1
	UG.2318	AXLE TUBE ASSY.—L.H.	1
	UG.2992	AXLE TUBE ASSY.—R.H.	1
	UG.2318	AXLE TUBE ASSY.—L.H.	1
	UG.2546	AXLE TUBE ASSY.—R.H.	1
	UG.2545	AXLE TUBE ASSY.—L.H.	1
(2)	UG.1114	Bolt tube to bearing housing	10
(3)	UG.264	Brake drum	2
	UG.2287	Brake drum	2
(4)	UG.673	Screw, brake drum	6
(5)	UG.3068	Wheel	2
	UG.3634	Wheel	2
(6)	UG.1460	Balance weight, .5 oz.	As reqd.
	UG.1461	Balance weight, 1.0 oz.	
	UG.1967	Balance weight, 1.4 oz.	
	UG.1968	Balance weight, 1.8 oz.	
	UG.1969	Balance weight, 2.1 oz.	
	UG.1970	Balance weight, 2.8 oz.	
	UG.1965	Balance weight, .7 oz.	
	UG.1966	Balance weight, 1.1 oz.	
	UG.1462	Balance weight, 1.5 oz.	
	UG.1463	Balance weight, 2.0 oz.	
(7)	UG.1564	DISC, WHEEL, ASSY.	2 — Rolls Royce
	UG.1562	Disc	1
	UG.1561	Ring, claw	1
	UG.1565	DISC, WHEEL, ASSY.	2 — Bentley
	UG.1563	Disc	1
(8)	UG.1559	RING, PAINTED, ASSY.	2
	UG.1560	Ring	1
	UG.2396	Stud	6
(9)	UG.1608	Spire, push-on, wheel disc	12

AXLE TUBE, REAR WHEEL & BRAKE DRUM



SPARES schedule

SILVER CLOUD AND BENTLEY 'S' TYPE



Ref.	Part No.	Description	No off
	UG.2871	AXLE SHAFT ASSY., R.H.	1
(1)	GB.4956	Collar	1
(2)	RG.8109	Ring, sealing.	1
(3)	RG.8116	Plate, spring	1
(4)	UG.1049	Housing, L.H. start thread	1
(5)	UG.1050	Housing, R.H. start thread	1
(6)	RG.8104	Bearing	1
(7)	UG.877	Housing, bearing	1
(8)	UG.1051	Distance piece	1
(9)	UG.2867	Shaft, axle	1
(10)	UG.668	Stud, wheel	5
(11)	UA.355 Z	Nut, stud retaining	5
(12)	UG.670	Nut, wheel retaining	5
	UG.2872	AXLE SHAFT ASSY., L.H. (As for R.H. except)	1
	UG.2868	Shaft	1
	UG.669	Stud, wheel	5
	UG.671	Nut, wheel retaining	5

Silver Cloud—SWA 2—SED 341, 345-373, 377-389,
393-399, 403-419, 425-431, 443-447, 451
SFE 57, 73

Silver Cloud L.W.B.—ALC 1-8

Bentley S —AN-2 - EK 109, 113-127, 131-183, 187, 193,
209, 211, 221-225, 241

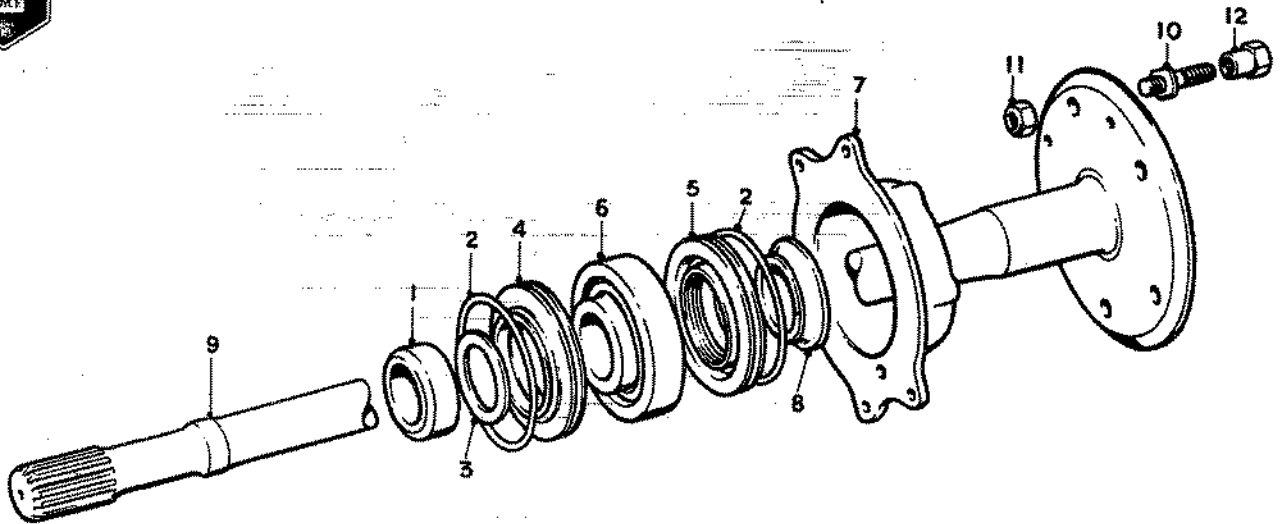
Continental —AF-DJ 1, 2, 7, 8, 9

REAR AXLE SHAFTS



SPARES schedule

SILVER CLOUD AND BENTLEY 'S' TYPE



Ref.	Part No.	Description	No off
	UG.3081	AXLE SHAFT ASSY., R.H.	1
(1)	GB.4956	Collar	1
(2)	RG.8109	Ring, sealing	1
(3)	RG.8116	Plate, spring	1
(4)	UG.1049	Housing, L.H. start thread	1
(5)	UG.1050	Housing, R.H. start thread	1
(6)	RG.8104	Bearing	1
(7)	UG.877	Housing, bearing	1
(8)	UG.1051	Distance piece	1
(9)	UG.3082	Shaft, axle	1
(10)	UG.3085	Stud, wheel	5
(11)	UA.355/Z	Nut, stud retaining	5
(12)	UG.670	Nut, wheel retaining	5
	UG.3083	AXLE SHAFT ASSY., L.H. (As for R.H. except)	1
	UG.3084	Shaft	1
	UG.3086	Stud, wheel	5
	UG.671	Nut, wheel retaining	5

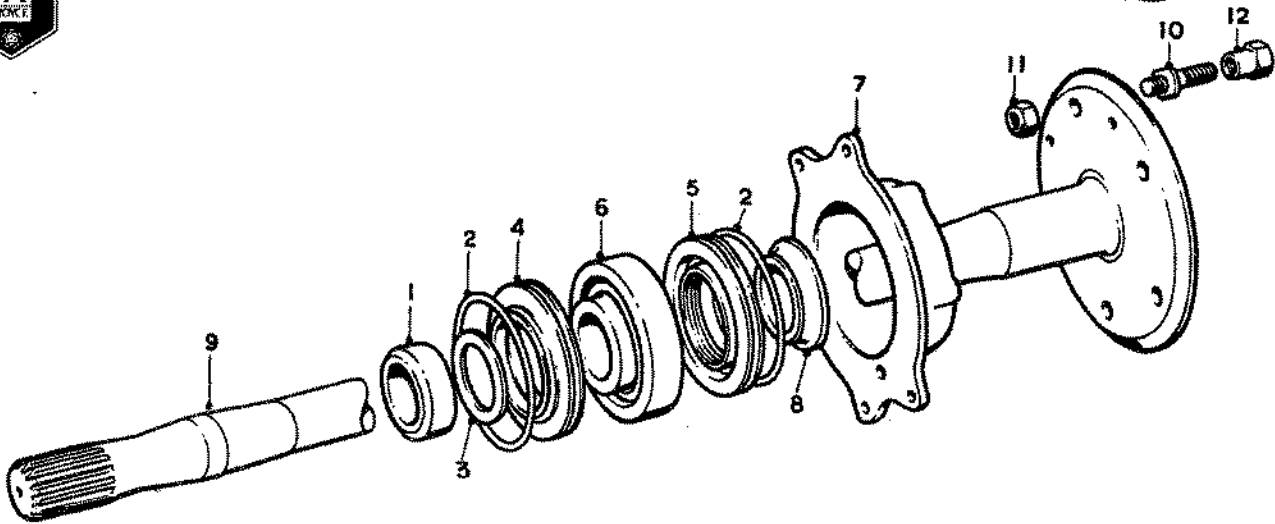
Silver Cloud—SED 343, 375, 391, 401, 405, 421, 423,
433-441, 449. SFE 1-55, 59-71, 75 onwards
Silver Cloud LWB—ALC 9 onwards
Bentley —EK 111, 129, 185, 189, 191, 195-207,
213-219, 227-239, 243 onwards
Bentley LWB—ALB 1 onwards
Continental —DJ 3, 6, 10 onwards

REAR AXLE SHAFTS



SPARES schedule

SILVER CLOUD AND BENTLEY 'S' TYPE



Ref.	Part No.	Description	No off
	UG.3077	AXLE SHAFT ASSY., R.H.	1
(1)	GB.4956	Collar	1
(2)	RG.8109	Ring, sealing	1
(3)	RG.8116	Plate, spring	1
(4)	UG.1049	Housing, L.H. start thread	1
(5)	UG.1050	Housing, R.H. start thread	1
(6)	RG.8104	Bearing	1
(7)	UG.877	Housing, bearing	1
(8)	UG.1051	Distance piece	1
(9)	UG.3078	Shaft, axle	1
(10)	UG.3085	Stud, wheel	5
(11)	UA.355/Z	Nut, stud retaining	5
(12)	UG.670	Nut, wheel retaining	5
	UG.3079	AXLE SHAFT ASSY., L.H. (As for R.H. except)	1
	UG.3080	Shaft	1
	UG.3086	Stud, wheel	5
	UG.671	Nut, wheel retaining	5

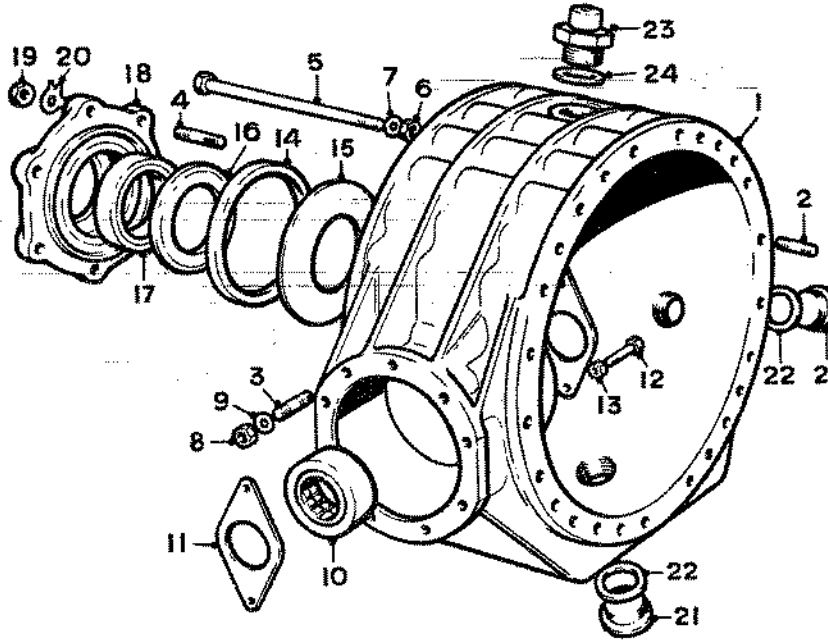
Silver Cloud—SGE 388 onwards
 Silver Cloud LWB—
 Bentley —FA 590 onwards
 Bentley LWB—
 Continental —

REAR AXLE SHAFTS



SPARES schedule

SILVER CLOUD AND BENTLEY 'S' TYPE



Ref.	Part No.	Description	No off
(1)	UG.2320	CASING, CENTRE, ASSY.	1
(2)	UA.902/Z	Stud, end plates	12
(3)	UA.854/Z	Stud, pinion cover	9
(4)	UA.852/Z	Stud, oil seal housing	6
(5)	UG.3418	Stud, casing end plates	19
(6)	UA.302/Z	Nut, end plates	50
(7)	UA.1252/Z	Washer, end plates	32
(8)	UA.301/Z	Nut, pinion cover	9
(9)	UA.1251/Z	Washer, pinion cover	9
(10)	RG.7156	Bearing, pinion nose	1
	GB.3254	Bearing, pinion nose	1
	RG.7155	Bearing, pinion nose	1
(11)	UG.982	Plate, end, nose bearing	2
(12)	UG.983	Screw, end plate	2
(13)	K.4307 Z	Nut, screw	2
(14)	UG.522	Washer, thrust, differential	1
(15)	UG.523	Washer, " Belleville "	3
(16)	UG.521	Washer, thrust, differential	1
(17)	RG.4264	Oil seal, R.H. shaft	1
(18)	UG.528	Housing, oil seal	1
(19)	UA.351/Z	Nut, housing	6
(20)	KB.7106	Washer, lock, nut	6
(21)	UG.526	Plug, drain and level	2
(22)	KB.1093	Washer, plug	2
(23)	UG.566	Plug, ventilator	1
(24)	KB.1093	Washer, plug	1

Alt.

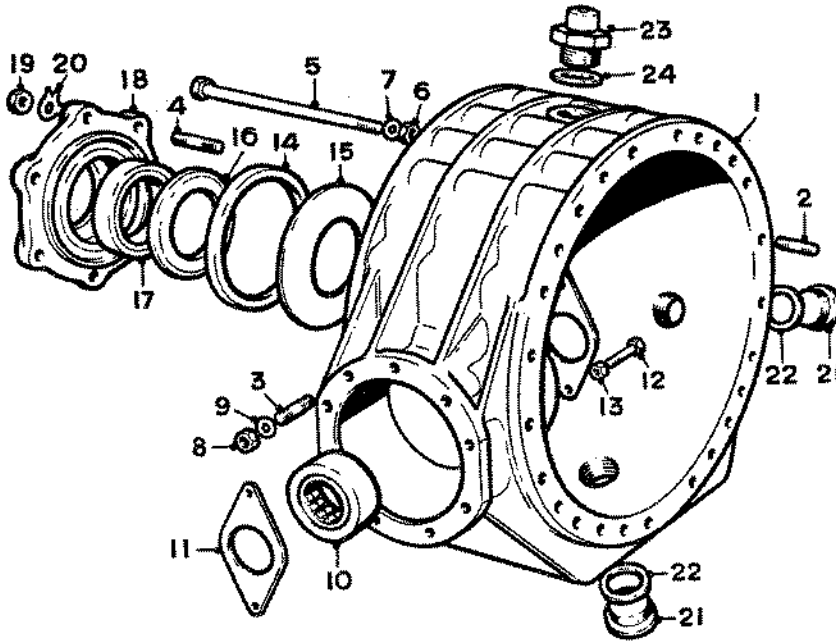
Silver Cloud	—	—	SWA.2—SGE.386
Silver Cloud L.W.B.	—	—	ALC.1—
Bentley " S "	—	—	AN.2—FA.588
Bentley L.W.B.	—	—	ALB.1—
Continental	—	—	AF.1—

CROWN WHEEL AND PINION CENTRE CASING



SPARES schedule

SILVER CLOUD AND BENTLEY 'S' TYPE



Ref.	Part No.	Description	No off
(1)	UG.2320	CASING, CENTRE, ASSY.	1
(2)	UA.902/Z	Stud, end plates	12
(3)	UA.854/Z	Stud, pinion cover	9
(4)	UA.852/Z	Stud, oil seal housing	6
(5)	UG.3418	Stud, casing end plates	19
(6)	UA.302/Z	Nut, end plates	50
(7)	UA.1252/Z	Washer, end plates	32
(8)	UA.301/Z	Nut, pinion cover	9
(9)	UA.1251/Z	Washer, pinion cover	9
(10)	RG.7156	Bearing, pinion nose	1
	GB.3254	Bearing, pinion nose	1 } Alt.
	RG.7155	Bearing, pinion nose	1
(11)	UG.982	Plate, end, nose bearing	2
(12)	UG.983	Screw, end plate	2
(13)	K.4307/Z	Nut, screw	2
(14)	UG.522	Washer, thrust, differential	1
(15)	UG.523	Washer, " Belleville "	3
(16)	UG.2731	Washer, thrust, differential	1
(17)	RG.8372	Oil seal, R.H. shaft	1
(18)	UG.2627	Housing, oil seal	1
(19)	UA.351/Z	Nut, housing	6
(20)	KB.7106	Washer, lock, nut	6
(21)	UG.526	Plug, drain and level	2
(22)	KB.1093	Washer, plug	2
(23)	UG.566	Plug, ventilator	1
(24)	KB.1093	Washer, plug	1

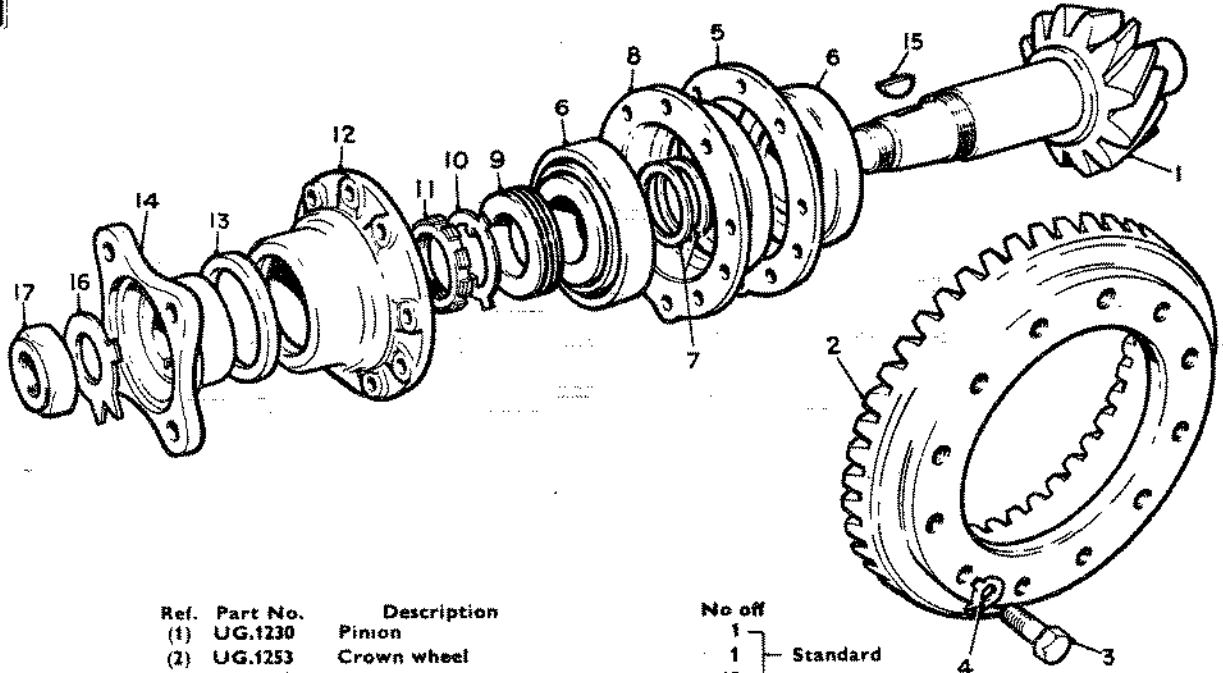
Silver Cloud	—	—	SGE.388 onwards
Silver Cloud L.W.B.	—	—	
Bentley "S"	—	—	FA.590 onwards
Bentley L.W.B.	—	—	
Continental	—	—	

CROWN WHEEL AND PINION CENTRE CASING



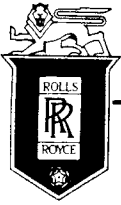
SPARES schedule

SILVER CLOUD AND BENTLEY 'S' TYPE



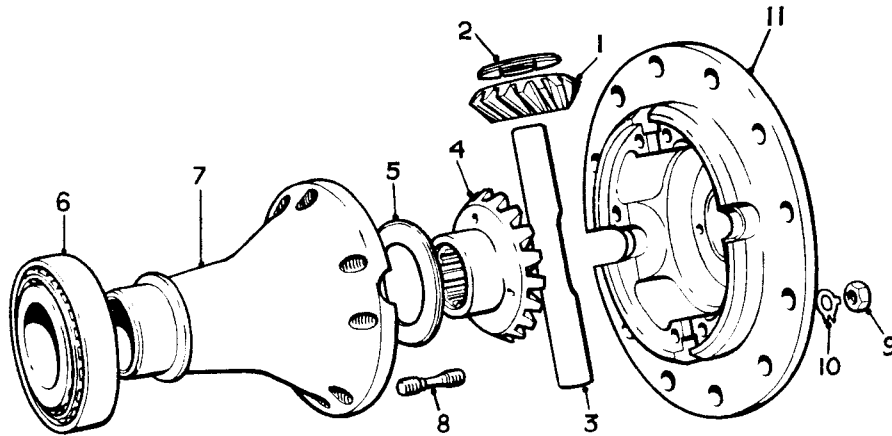
Ref.	Part No.	Description	No off
(1)	UG.1230	Pinion	1
(2)	UG.1253	Crown wheel	1
(3)	UA.205/Z	Setscrew, crown wheel	12
	UG.1695	Pinion	1
	UG.1696	Crown wheel	1
	UG.2053	Setscrew, crown wheel	12
(4)	KB.7108	Lockwasher, setscrew	12
(5)	UG.834	Washer, adj., pin. brg. hng., .075"	2
	UG.835	" " " " " .087"	
	UG.836	" " " " " .100"	
	UG.837	" " " " " .112"	
	UG.838	" " " " " .125"	
(6)	RG.6166	Bearing, thrust pinion	2
(7)	RE.10500	Washer, adjusting, bearing, .176"	2
	RE.10501	" " " " .177"	
	RE.10502	" " " " .178"	
	RE.10503	" " " " .179"	
	RE.10504	" " " " .180"	
	RE.10505	" " " " .181"	
	RE.10506	" " " " .182"	
	RE.10507	" " " " .189"	
	RE.10508	" " " " .196"	
(8)	UG.828	Housing, pinion bearing	1
(9)	UG.1107	Seal, oil, pinion	1
(10)	UG.830	Washer, tab, pinion	1
(11)	UG.829	Nut, retaining, bearing	1
(12)	UG.1106	Cover, bearing housing	1
(13)	UG.1108	Washer, felt, housing	1
(14)	UG.832	Flange, driving	1
(15)	KC.515	Key "Woodruff," .1075"	2
	KC.516	" " .188"	
	KC.517	" " .1885"	
	KC.518	" " .189"	As reqd.
(16)	KB.7118	Washer, lock, driving flange	1
(17)	UG.2288	Nut, retaining, driving flange	1

CROWN GEARS



SPARES schedule

SILVER CLOUD AND BENTLEY 'S' TYPE



Ref.	Part No.	Description	No off	Ref.	Part No.	Description	No off	
(1)	GB.4503	Pinion, bevel, differential	4	(5)	RG.6434	Washer, adjusting, bevel, .084"	2 As reqd.	
(2)	RG.6451	Washer, adjusting, pinion, .072"	4 As reqd.		RG.6435	" " " .086"		
	RG.6452	" " " .074"				RG.6436		" " " .088"
	RG.6453	" " " .076"				RG.6437		" " " .090"
	RG.6454	" " " .078"				RG.6438		" " " .092"
	RG.6455	" " " .080"				RG.6439		" " " .094"
	RG.6456	" " " .082"				RG.6440		" " " .096"
	RG.6457	" " " .084"				RG.6441		" " " .098"
	RG.6458	" " " .086"				RG.6442		" " " .100"
	RG.6459	" " " .088"				RG.6443		" " " .102"
	RG.6460	" " " .090"				RG.6444		" " " .104"
	RG.6461	" " " .092"				RG.6445		" " " .106"
	RG.6462	" " " .094"				RG.6446		" " " .108"
	RG.6463	" " " .096"				RG.6447		" " " .110"
	RG.6464	" " " .098"				RG.6448		" " " .112"
	RG.6465	" " " .100"				RG.6449		" " " .114"
	RG.6466	" " " .102"				RG.6450	" " " .116"	
(3)	RG.3540	Cross-pin, bevel pinion	2	(6)	RG.4411	Bearing, taper roller	2	
(4)	RG.6518	Wheel, bevel, axle shaft	2	(7)	UG.569	CASING, DIFFERENTIAL, ASSY., R.H.	1	
				(8)	UG.568	Stud	8	
				(9)	UA.302/Z	Nut, Stud	8	
				(10)	GW.524	Washer, locking, nut	8	
				(11)	RG.3044	Casing, differential, L.H.	1	

*UG.1370
UG.1371*

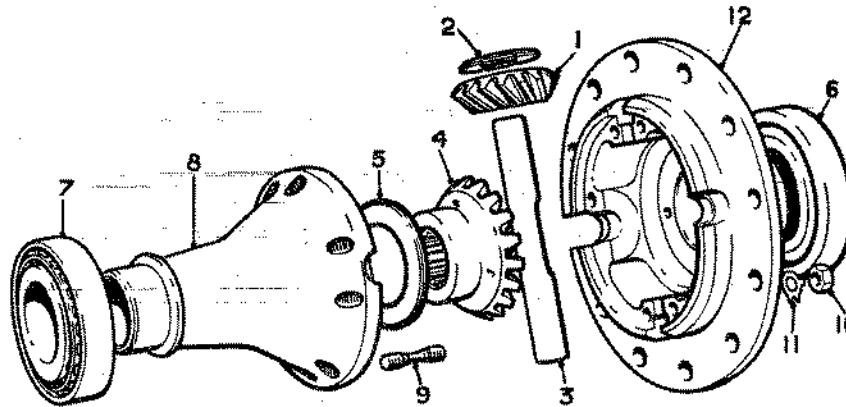
DIFFERENTIAL UNIT

Silver Cloud	—	—	SWA.2—SGE.386
Silver Cloud L.W.B.	—	—	ALC.1—
Bentley "S"	—	—	AN.2—FA.588
Bentley L.W.B.	—	—	ALB.1—
Continental	—	—	AF.1—



SPARES schedule

SILVER CLOUD AND BENTLEY 'S' TYPE



Ref.	Part No.	Description	No off	Ref.	Part No.	Description	No off
(1)	GB.4503	Pinion, bevel, differential	4	(5)	UG.2850	Washer, adjusting, bevel, .084"	2 As reqd.
(2)	RG.6451	Washer, adjusting, pinion, .072"	4 As reqd.		UG.2851	" " " .086"	
	RG.6452	" " " .074"			UG.2852	" " " .088"	
	RG.6453	" " " .076"			UG.2853	" " " .090"	
	RG.6454	" " " .078"			UG.2854	" " " .092"	
	RG.6455	" " " .080"			UG.2855	" " " .094"	
	RG.6456	" " " .082"			UG.2856	" " " .096"	
	RG.6457	" " " .084"			UG.2857	" " " .098"	
	RG.6458	" " " .086"			UG.2858	" " " .100"	
	RG.6459	" " " .088"			UG.2859	" " " .102"	
	RG.6460	" " " .090"			UG.2860	" " " .104"	
	RG.6461	" " " .092"			UG.2861	" " " .106"	
	RG.6462	" " " .094"			UG.2862	" " " .108"	
	RG.6463	" " " .096"			UG.2863	" " " .110"	
	RG.6464	" " " .098"			UG.2864	" " " .112"	
	RG.6465	" " " .100"		UG.2865	" " " .114"		
	RG.6466	" " " .102"		UG.2866	" " " .116"		
(3)	RG.3540	Cross-pin, bevel pinion	2	(6)	RG.8373	Bearing, taper roller, L.H.	1
(4)	UG.2870	Wheel, bevel, axle shaft	2	(7)	RG.4411	Bearing, taper roller, R.H.	1
				(8)	UG.2874	CASING, DIFFERENTIAL, ASSY., R.H.	1
				(9)	UG.568	Stud	8
				(10)	UA.302/Z	Nut, Stud	8
				(11)	GW.524	Washer, locking, nut	8
				(12)	UG.2837	Casing, differential, L.H.	1

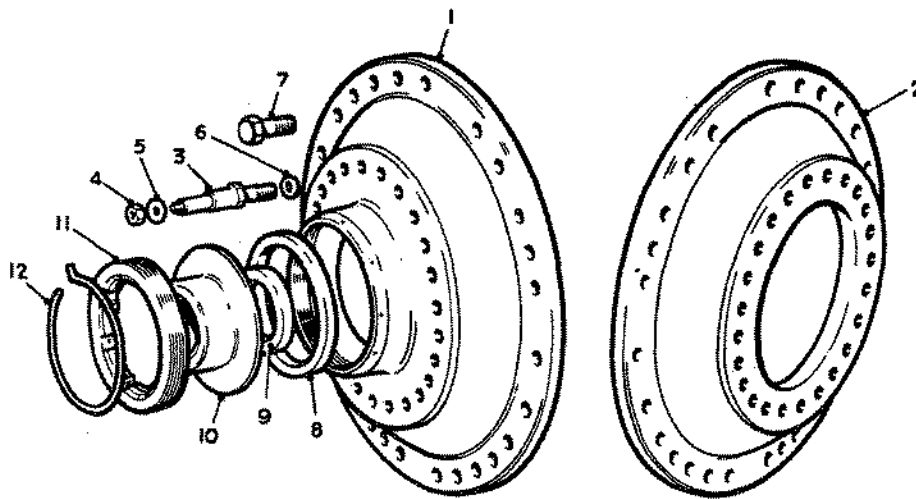
DIFFERENTIAL UNIT

Silver Cloud	—	—	SG.E388 onwards
Silver Cloud L.W.B.	—	—	
Bentley "S"	—	—	FA.590 onwards
Bentley L.W.B.	—	—	
Continental	—	—	



SPARES schedule

SILVER CLOUD AND BENTLEY 'S' TYPE



Ref.	Part No.	Description	No off
(1)	UG.2312	Plate, end, L.H.	1
(2)	UG.2313	Plate, end, R.H.	1
(3)	UG.2345	Stud, equaliser mounting	1
(4)	UA.351/Z	Nut, stud	1
(5)	RG.8335	Washer, special, stud	1
(6)	UA.1251/Z	Washer, plain stud	1
(7)	UG.2337	Setscrew, end plate	47
(8)	UG.3156	Washer, adjusting, bearing, .165"	As reqd.
	UG.3157	" " " .170"	
	UG.3158	" " " .175"	
	UG.3159	" " " .180"	
	RG.7340	" " " .185"	
	RG.7341	" " " .190"	
	RG.7342	" " " .195"	
	RG.7343	" " " .200"	
	RG.7344	" " " .205"	
	RG.7345	" " " .210"	
	RG.7346	" " " .215"	
	RG.7347	" " " .220"	
(9)	RG.4264	Seal, oil, axle shaft, L.H.	1
(10)	UG.518	Housing, seal, oil, L.H.	1
(11)	UG.517	Nut, housing, oil seal	1
(12)	GB.4663	Wire, locking, nut	1

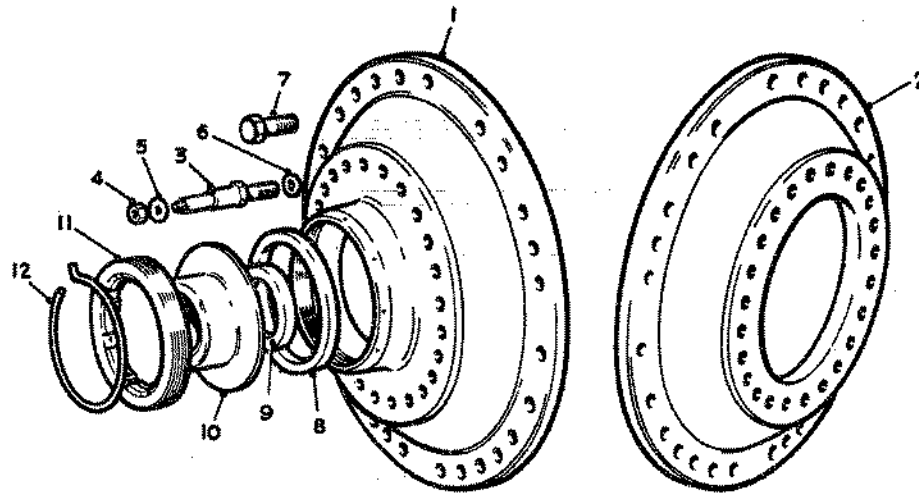
END PLATE

Silver Cloud —SWA.2—SGE.386
 Silver Cloud L.W.B.—ALC.1
 Bentley "S" —AN.2—FA.588
 Bentley L.W.B. —ALB.1
 Continental —AF.1



SPARES schedule

SILVER CLOUD AND BENTLEY 'S' TYPE



Ref.	Part No.	Description	No off
(1)	UG.2848	Plate, end, L.H.	1
(2)	UG.2313	Plate, end, R.H.	1
(3)	UG.2345	Stud, equaliser mounting	1
(4)	UA.351/Z	Nut, stud	1
(5)	RG.8335	Washer, special, stud	1
(6)	UA.1251/Z	Washer, plain stud	1
(7)	UG.2337	Setscrew, end plate	47
(8)	UG.2793	Washer, adjusting, bearing, .185"	As reqd.
	UG.2794	" " " .190"	
	UG.2795	" " " .195"	
	UG.2796	" " " .200"	
	UG.2797	" " " .205"	
	UG.2798	" " " .210"	
	UG.2799	" " " .215"	
	UG.2800	" " " .220"	
(9)	RG.8372	Seal, oil, axle shaft, L.H.	1
(10)	UG.2628	Housing, seal, oil, L.H.	1
(11)	UG.517	Nut, housing, oil seal	1
(12)	GB.4663	Wire, locking, nut	1

END PLATE

Silver Cloud —SGE 388 onwards
 Silver Cloud L.W.B.—
 Bentley "S" —FA 590 onwards
 Bentley L.W.B. —
 Continental —