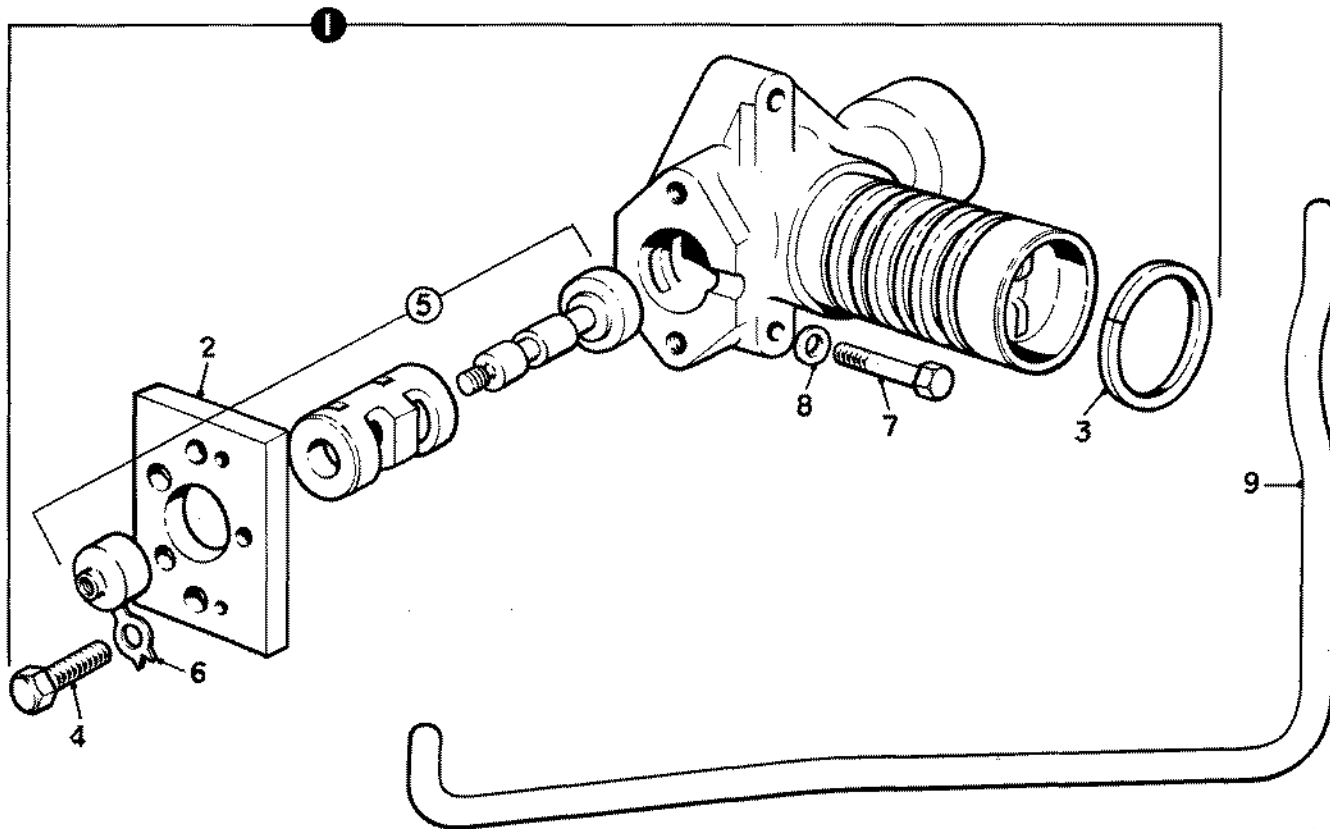


SECTION H.

GOVERNOR AND REAR PUMP

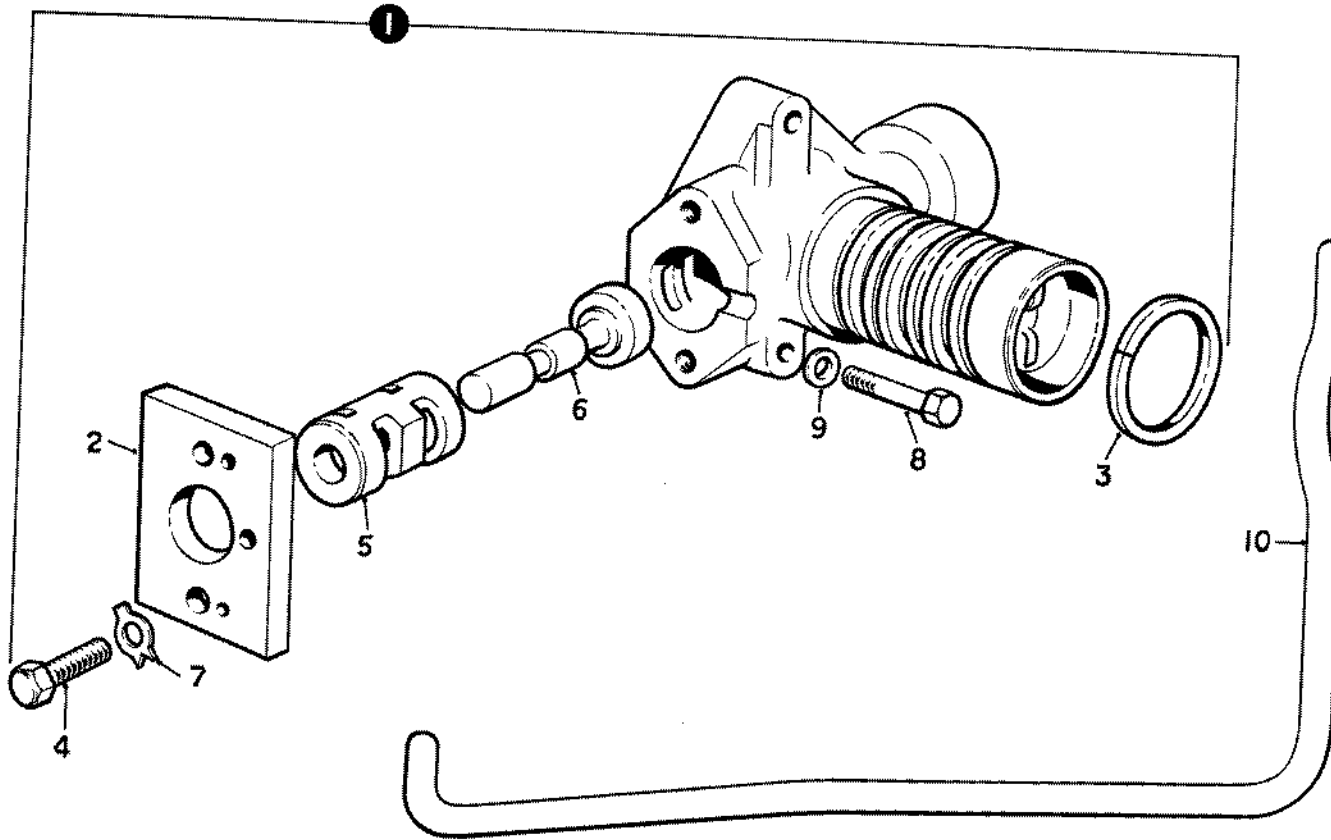
TITLE	GEARBOX SERIES	PAGE
GOVERNOR	C, C-E, C-E8, C-P, C-PC, C-SW, SM.	H.1
	C-C, SM-C.	H.2
	C-PC, C-SW, C-SWM, SM.	H.3
	C-PC, C-SW, C-SWM, SM, T.	H.4
	SM-C.	H.5
REAR PUMP	C, C-C, C-E, C-E8, C-P, C-PC, SM, SM.C C-SW, C-SWM.	H.6
	SM, SM-C, C-SW, C-SWM, T.	H.7



Ref.	Part No.	Description	No. off
(1)	UG.490	GOVERNOR—ASSY.	1
(2)	UG.1023	Plate, retaining, G.2 valve sleeve	1
(3)	UG.173	Ring, piston	4
(4)	UG.1254	Screw, retaining plate	2
(5)	R.6037	VALVE, G.2—ASSY.	1
(6)	KB.7104	Washer, tab, screw	2
(7)	UA.108/R	SCREW, governor body	2
(8)	K.9008/R	Washer, screw, governor body	2
(9)	UG.613	PIPE, governor to front servo	1

GOVERNOR

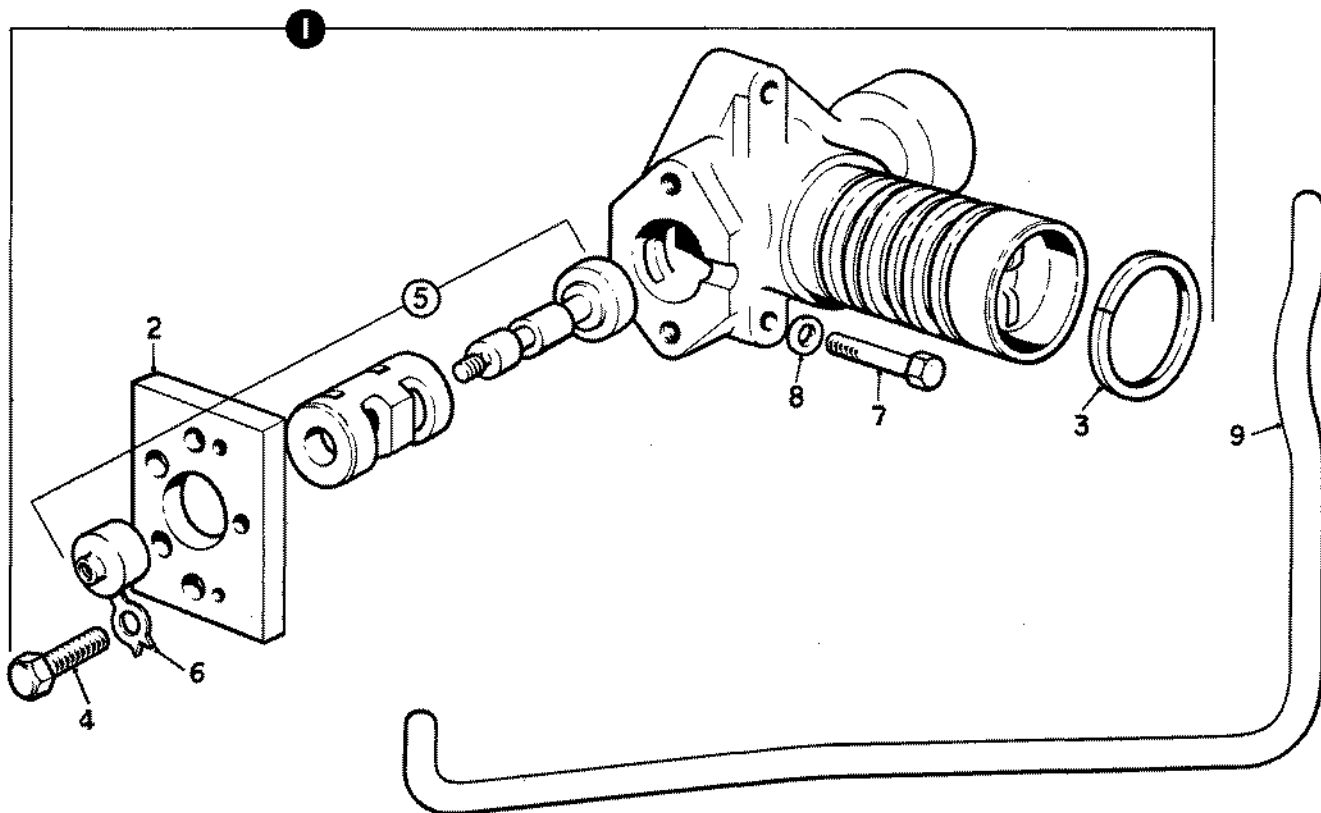
OIL EXHAUST CHANNEL IN GOVERNOR BODY
(o/dia. of G.2 Weight = .590")



Ref.	Part No.	Description	No. off
(1)	UG.1391	GOVERNOR—ASSY.	1
(2)	UG.120	Plate, retaining, G.2 valve sleeve	1
(3)	UG.173	Ring, piston	4
(4)	UG.1254	Screw, retaining plate	2
(5)	UG.427	Sleeve, G.2 valve	1
(6)	UG.1520	Valve, G.2	1
(7)	KB.7104	Washer, tab, screw	2
(8)	UA.107/R	SCREW, governor body	2
	UA.108/R	SCREW, governor body	2
		Alt.	2
(9)	K.9008/R	WASHER, screw, governor body	2
(10)	UG.613	PIPE, governor to front servo	1

GOVERNOR

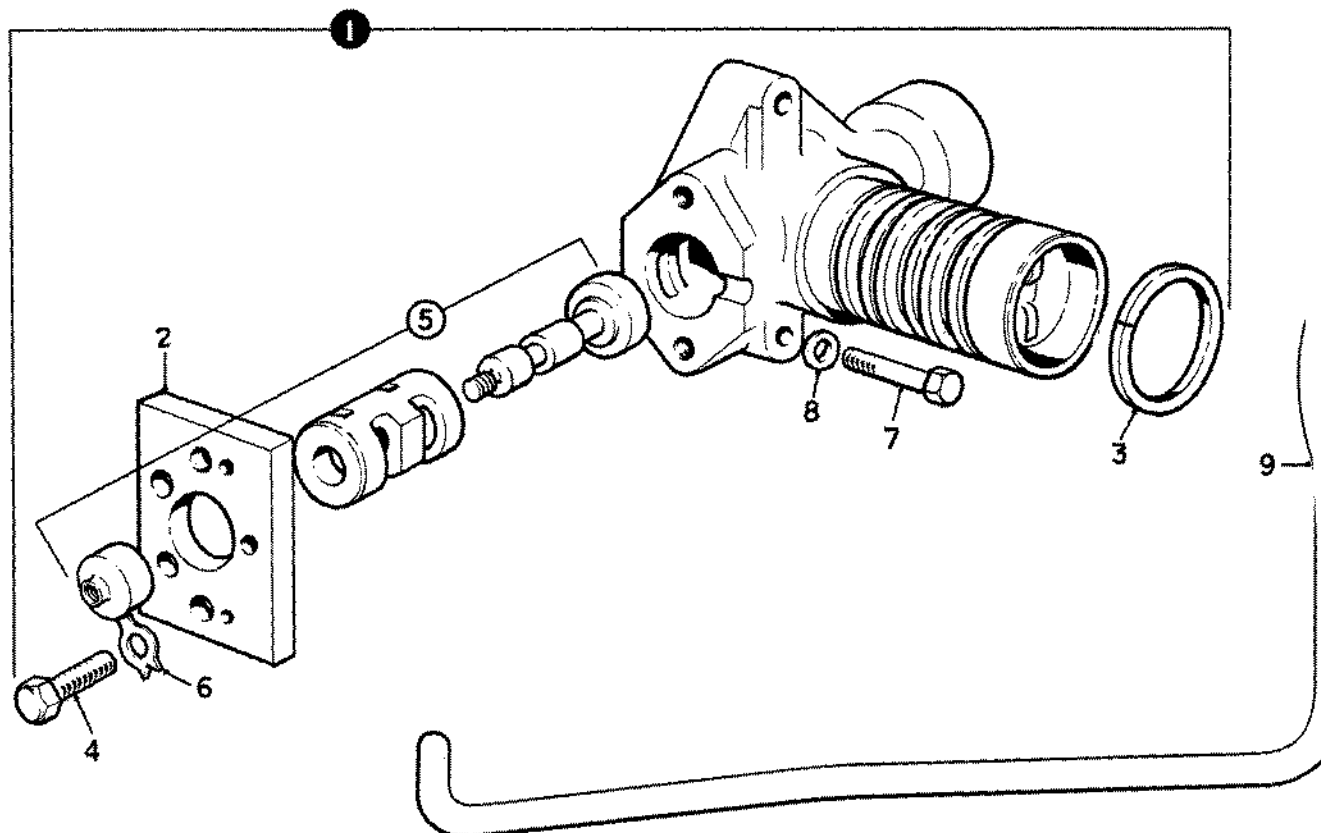
OIL EXHAUST CHANNEL IN GOVERNOR BODY



Ref.	Part No.	Description	No. off
(1)	UG.2421	GOVERNOR—ASSY.	1
(2)	UG.1023	Plate, retaining, G.2 valve sleeve	1
(3)	UG.173	Ring, piston	4
(4)	UG.1254	Screw, retaining plate	2
(5)	RH.2015	VALVE, G.2—ASSY.	1
(6)	KB.7104	Washer, tab, screw	2
(7)	UA.108/R	SCREW, governor body	2
(8)	K.9008/R	Washer, screw, governor body	2
(9)	UG.613	PIPE, governor to front servo	1

GOVERNOR

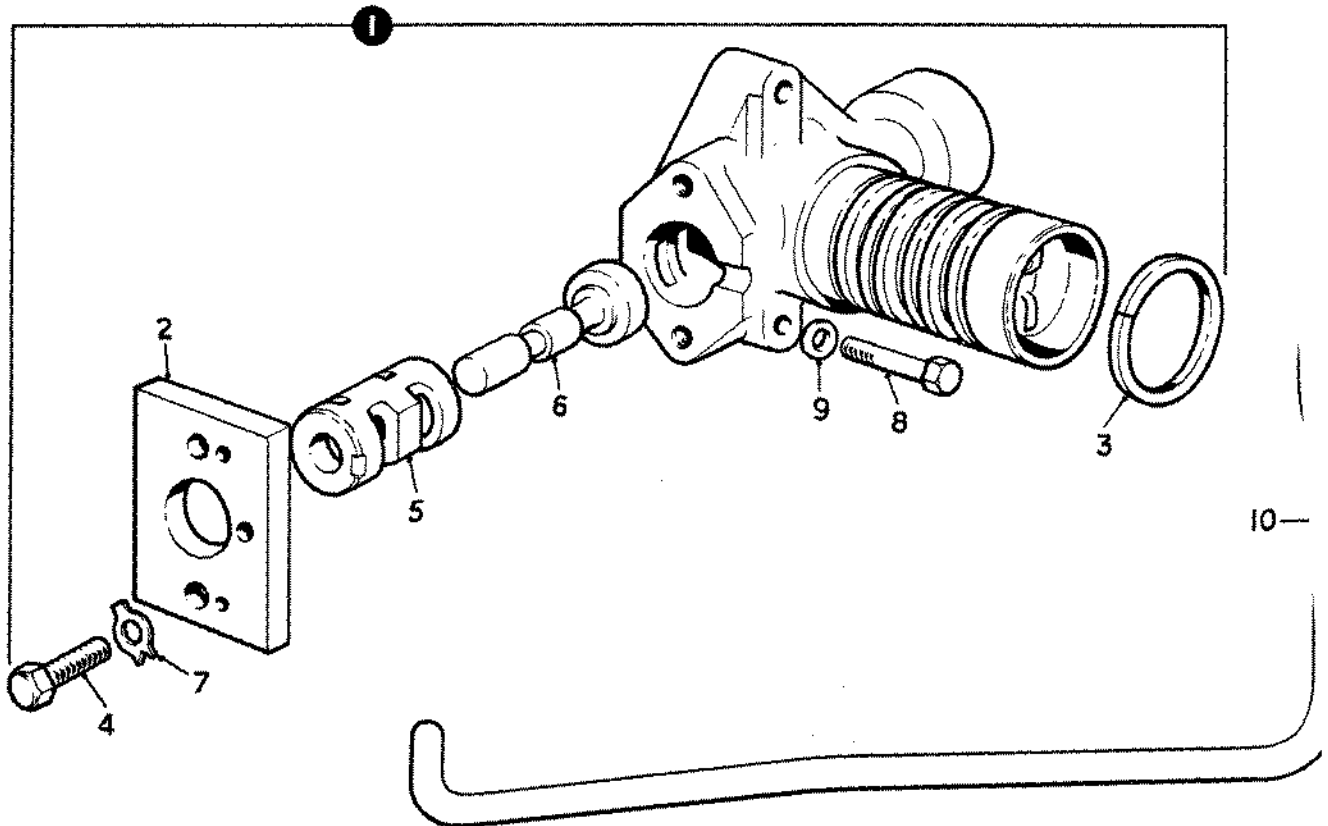
OIL EXHAUST CHANNEL IN GOVERNOR BODY
(o/dia. of G.2 Weight = .540")



Ref.	Part No.	Description	No. off
(1)	UG.3040	GOVERNOR—ASSY.	1
(2)	UG.1023	Plate, retaining, G.2 valve sleeve	1
(3)	UG.173	Ring, piston	4
(4)	UG.1254	Screw, retaining plate	2
(5)	RH.2016	VALVE, G.2—ASSY.	1
(6)	KB.7104	Washer, tab, screw	2
(7)	UA.107/R	SCREW, governor body	2
	UA.108/R	SCREW, governor body	2
			Alt.
(8)	K.9008/R	WASHER, screw, governor body	2
(9)	UG.613	PIPE, governor to front servo	1

GOVERNOR

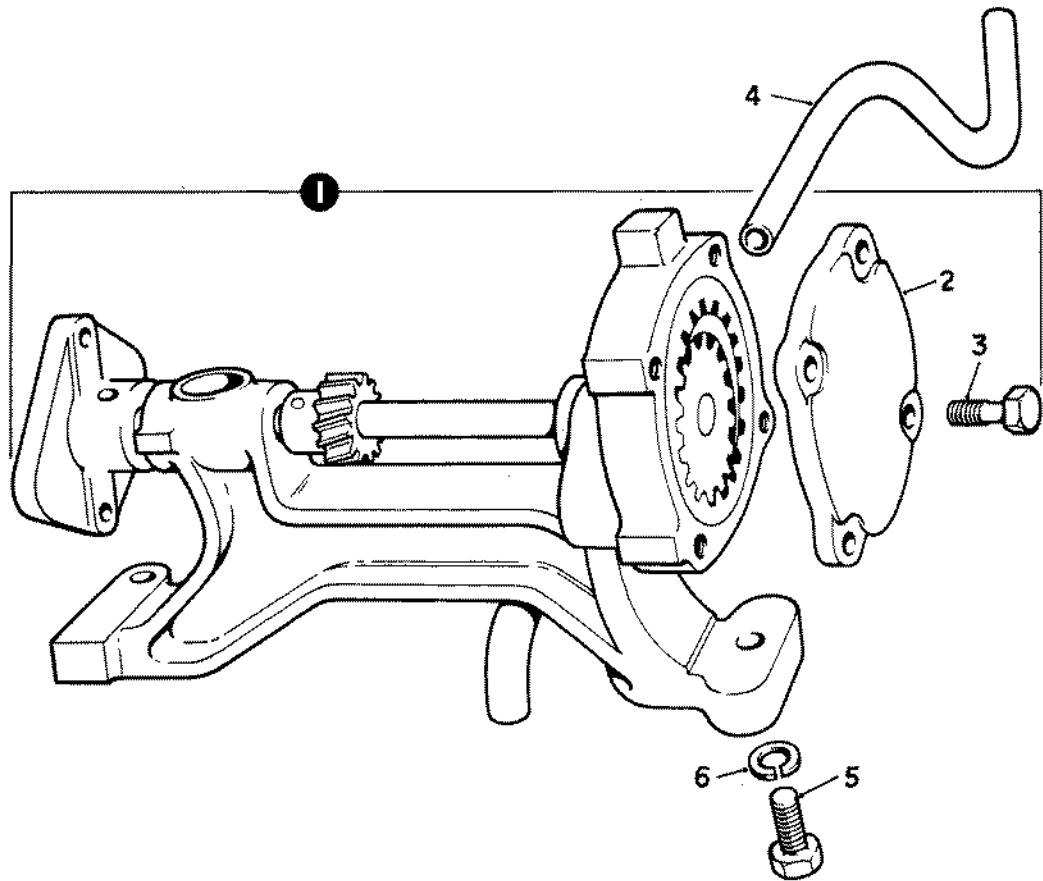
OIL EXHAUST DRILLING IN GOVERNOR BODY



Ref.	Part No.	Description	No. off
(1)	UG.3050	GOVERNOR—ASSY.	1
(2)	UG.120	Plate, retaining, G.2 valve sleeve	1
(3)	UG.173	Ring, piston	4
(4)	UG.1254	Screw, retaining plate	2
(5)	UG.2431	Sleeve, G.2 valve	1
(6)	UG.1520	Valve, G.2	1
(7)	KB.7104	Washer, retaining plate screw	2
(8)	UA.107/R	SCREW, governor body	2
	UA.108/R	SCREW, governor body	2
			Alt.
(9)	K.9008/R	WASHER, screw, governor body	2
(10)	UG.613	PIPE, governor to front servo	1

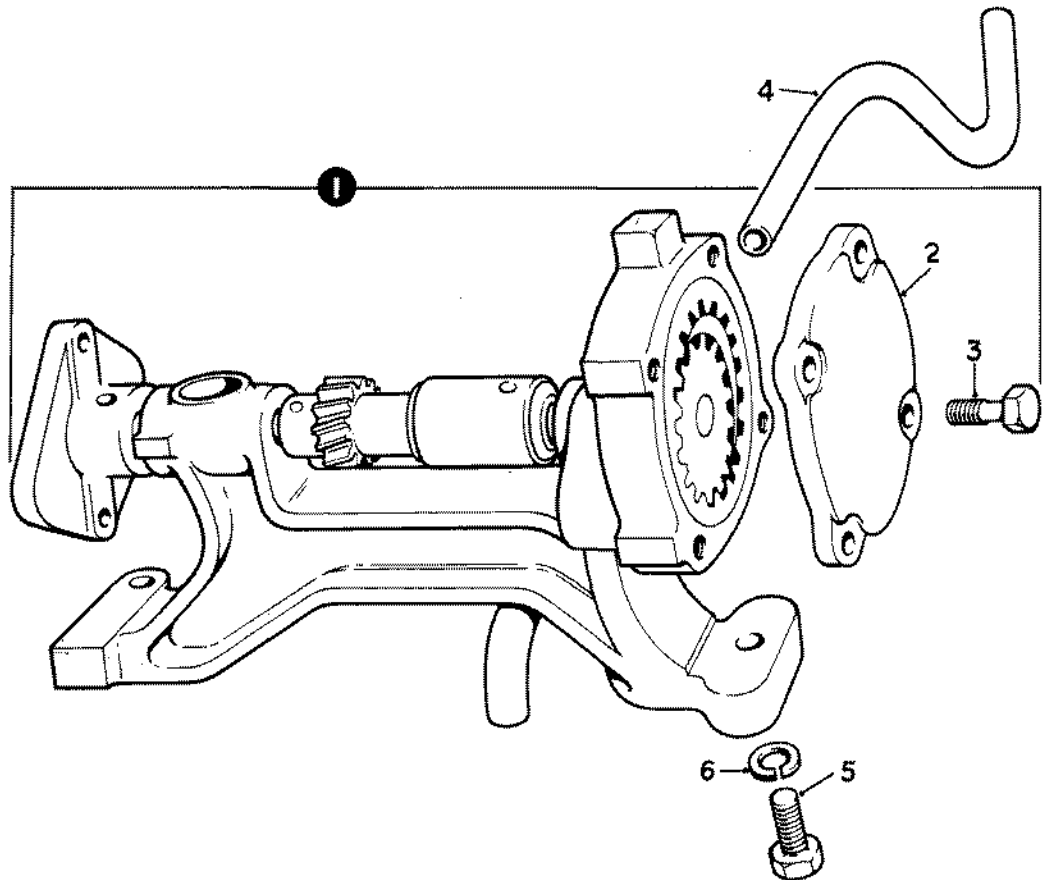
GOVERNOR

OIL EXHAUST DRILLING IN GOVERNOR BODY



Ref.	Part No.	Description	No. off
(1)	UG.1425	PUMP, REAR—ASSY.	1
(2)	UG.631	Plate, blanking	1
(3)	UG.802	Screw, blanking plate	4
(4)	UG.406	PIPE, pump to front servo	1
(5)	UA.154/R	SCREW, pump to gearbox	2
(6)	K.9009/R	WASHER, screw, pump	2

REAR PUMP
SOLID DRIVE TYPE



Ref.	Part No.	Description	No. off
(1)	UG.2634	PUMP, REAR—ASSY.	1
(2)	UG.631	Plate, blanking	1
(3)	UG.802	Screw, blanking plate	4
(4)	UG.406	PIPE, pump to front servo	1
(5)	UA.154/R	SCREW, pump to gearbox	2
(6)	K.9009/R	WASHER, screw	2

REAR PUMP
SPRING DRIVE TYPE