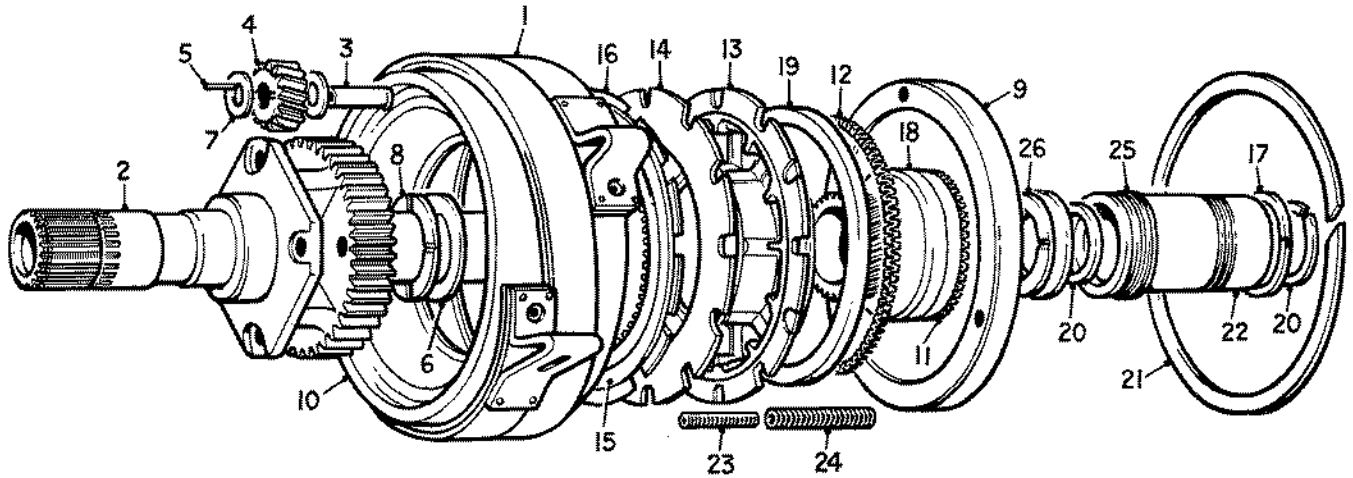


**SECTION D.**

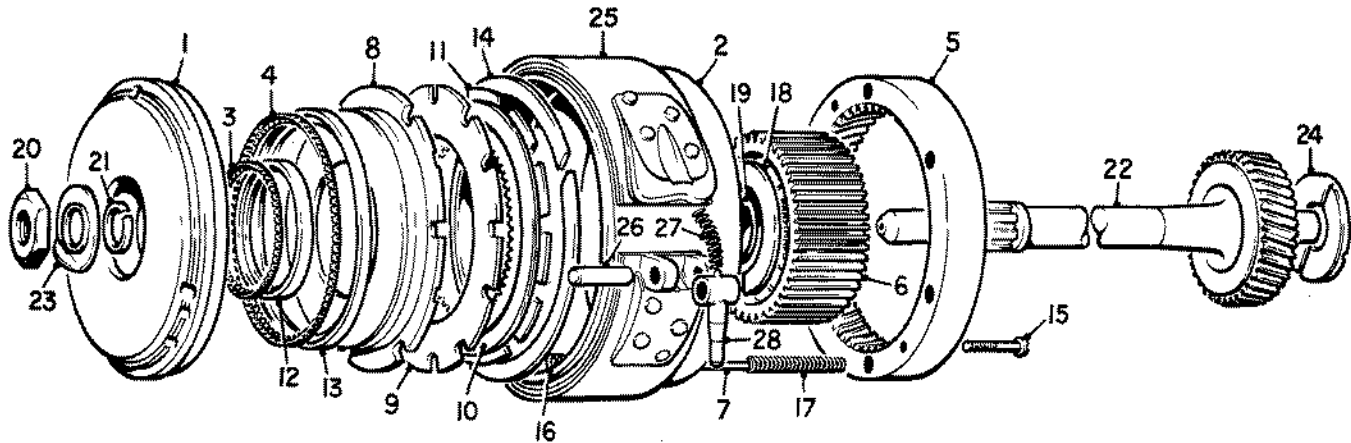
**FRONT AND REAR DRUMS**

<b>TITLE</b>	<b>GEARBOX SERIES</b>	<b>PAGE</b>
FRONT AND REAR DRUMS	C. C-C. C-E. C-E8. C-P. C-PC. C-SW. C-SWM. SM. SM-C. T.	D.1 & D.2  D.3 & D.4



Ref.	Part No.	Description	No. off	Ref.	Part No.	Description	No. off
(1)	UG.2430	BAND, FRONT—ASSY.	1	(16)	UG.1888	Plate, spacer, .028"	as reqd.
	UG.1406	DRUMS, FRONT AND REAR—ASSY.	1		UG.1890	Plate, spacer, .048"	as reqd.
	UG.1348	DRUM, FRONT—ASSY.	1		UG.193	Plate, spacer, .070"	as reqd.
	UG.494	CARRIER, PLANET, FRONT—ASSY.	1	(17)	UG.168	Ring, piston type, sleeve	4
(2)	UG.1238	CARRIER, PLANET, FRONT, AND SHAFT—ASSY.	1	(18)	UG.129	Ring, sealing, inner	1
(3)	UG.239	Pin, pinions	4	(19)	UG.142	Ring, sealing, outer	1
(4)	UG.238	Pinion, front planet	4	(20)	UG.170	Ring, spring, front drum	1
(5)	UG.614	Needle, roller bearing	76		UG.170	Ring, spring, sleeve	1
(6)	UG.160	Washer, thrust, sun wheel	1	(21)	UG.226	Ring, spring, clutch cover	1
(7)	UG.1906	Washer, thrust, pinion, .055"	8	(22)	UG.1344	SLEEVE, OIL DELIVERY—ASSY.	1
	UG.1907	Washer, thrust, pinion, .057"	as reqd.	(23)	UG.261	Spring, inner	6
	UG.1908	Washer, thrust, pinion, .059"	as reqd.	(24)	UG.262	Spring, outer	6
(8)	UG.281	Washer, grooved, sun wheel	1	(25)	UG.1897	Washer, thrust, clutch cover, .093"	as reqd.
(9)	UG.1343	COVER, CLUTCH, FRONT, WITH INTEGRAL SUN WHEEL—ASSY.	1		UG.1898	Washer, thrust, clutch cover, .096"	
(10)	UG.536	DRUM AND PINS, FRONT—ASSY.	1		UG.1899	Washer, thrust, clutch cover, .099"	
(11)	UG.176	Expander, inner seal	1		UG.1900	Washer, thrust, clutch cover, .103"	
(12)	UG.175	Expander, outer seal	1		UG.1901	Washer, thrust, clutch cover, .105"	
(13)	UG.323	Piston, annular	1		UG.1902	Washer, thrust, clutch cover, .108"	as reqd.
(14)	UG.193	Plate, driven	4		UG.1903	Washer, thrust, clutch cover, .110"	
(15)	UG.548	PLATE, DRIVING—ASSY.	4		UG.1904	Washer, thrust, clutch cover, .112"	
				(26)	UG.281	Washer, grooved, clutch cover	1

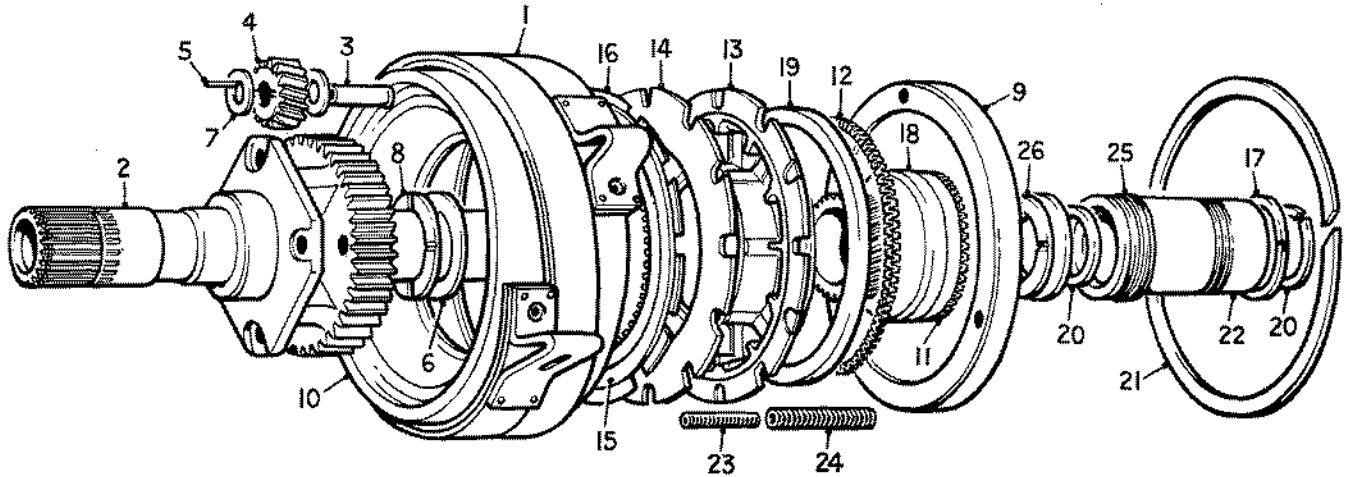
FRONT AND REAR DRUMS



Ref.	Part No.	Description	No. off	Ref.	Part No.	Description	No. off
	UG.1405	DRUM, REAR—ASSY.	1	(18)	UG.282	Washer, thrust, grooved	2
(1)	UG.1345	COVER, CLUTCH, REAR—ASSY.	1		UG.170	Ring, spring, clutch hub	1
(2)	UG.505	DRUM AND PINS, REAR—ASSY.	1	(19)	UG.1340	Washer, thrust, flat	1
(3)	UG.176	Expander, inner	1	(20)	UG.164	Nut, main shaft	1
(4)	UG.175	Expander, outer	1	(21)	UG.228	Ring, spring, driven torus	1
(5)	UG.241	Gear, annulus	1	(22)	UG.110	Shaft, main	1
(6)	UG.1342	Hub, clutch	1	(23)	UG.200	Washer, lock, nut	1
(7)	UG.154	Pin, guide, springs	6	(24)	UG.266	Washer, thrust, grooved, .059"	] as reqd.
(8)	UG.705	Piston, annular	1		UG.267	Washer, thrust, grooved, .067"	
(9)	UG.193	Plate, driven	7		UG.268	Washer, thrust, grooved, .075"	
(10)	UG.548	PLATE, DRIVING, REAR CLUTCH —ASSY.	7		UG.269	Washer, thrust, grooved, .083"	
					UG.270	Washer, thrust, grooved, .091"	
(11)	UG.1888	Plate, spacer, .028"	] as reqd.		UG.271	Washer, thrust, grooved, .099"	
	UG.1890	Plate, spacer, .048"			UG.272	Washer, thrust, grooved, .107"	
	UG.193	Plate, spacer, .070"			UG.273	Washer, thrust, grooved, .115"	
(12)	UG.129	Ring, sealing, inner	1		UG.496	BAND AND STRUT, REAR—ASSY.	1
(13)	UG.142	Ring, sealing, outer	1	(25)	UG.285	BAND, REAR—ASSY.	1
(14)	UG.226	Ring, spring, clutch cover	1	(26)	UG.706	Pin, strut	1
(15)	UG.646	Screw, annulus gear	2	(27)	UG.1363	Spring, releasing	1
(16)	UG.261	Spring, inner	6	(28)	UG.205	Strut, operating	1
(17)	UG.262	Spring, outer	6				

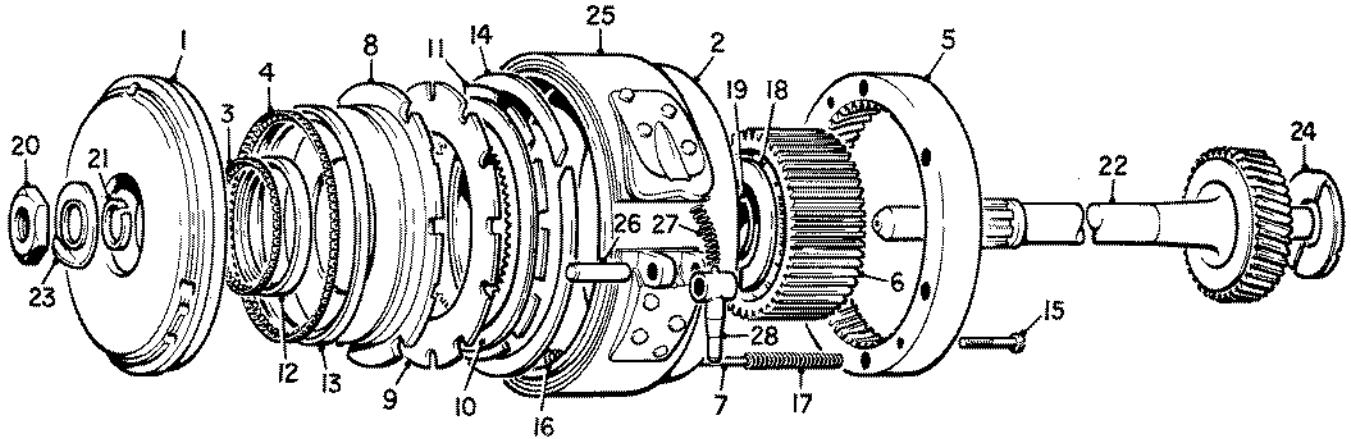
FRONT AND REAR DRUMS

(Continued)



Ref.	Part No.	Description	No. off	Ref.	Part No.	Description	No. off
(1)	UG.2430	BAND, FRONT—ASSY.	1	(16)	UG.1888	Plate, spacer, .028"	as reqd.
	UG.1351	DRUMS, FRONT AND REAR—ASSY.	1		UG.1890	Plate, spacer, .048"	
	UG.1348	DRUM, FRONT—ASSY.	1		UG.1889	Plate, spacer, .064"	
	UG.494	CARRIER, PLANET, FRONT—ASSY.	1	(17)	UG.168	Ring, piston type, sleeve	4
(2)	UG.1238	CARRIER, PLANET, FRONT, AND SHAFT—ASSY.	1	(18)	UG.129	Ring, sealing, inner	1
(3)	UG.239	Pin, pinions	4	(19)	UG.142	Ring, sealing, outer	1
(4)	UG.238	Pinion, front planet	4	(20)	UG.170	Ring, spring, front drum	1
(5)	UG.614	Needle, roller bearing	76		UG.170	Ring, spring, sleeve	1
(6)	UG.160	Washer, thrust, sun wheel	1	(21)	UG.226	Ring, spring, clutch cover	1
(7)	UG.1906	Washer, thrust, pinion, .055"	8	(22)	UG.1344	SLEEVE, OIL DELIVERY—ASSY.	1
	UG.1907	Washer, thrust, pinion, .057"	as reqd.	(23)	UG.261	Spring, inner	6
	UG.1908	Washer, thrust, pinion, .059"		(24)	UG.262	Spring, outer	6
(8)	UG.281	Washer, grooved, sun wheel	1	(25)	UG.1897	Washer, thrust, clutch cover, .093"	as reqd.
(9)	UG.1343	COVER, CLUTCH, FRONT, WITH INTEGRAL SUN WHEEL—ASSY.	1		UG.1898	Washer, thrust, clutch cover, .096"	
(10)	UG.536	DRUM AND PINS, FRONT—ASSY.	1		UG.1899	Washer, thrust, clutch cover, .099"	
(11)	UG.176	Expander, inner seal	1		UG.1900	Washer, thrust, clutch cover, .103"	
(12)	UG.175	Expander, outer seal	1		UG.1901	Washer, thrust, clutch cover, .105"	
(13)	UG.323	Piston, annular	1		UG.1902	Washer, thrust, clutch cover, .108"	
(14)	UG.193	Plate, driven	4		UG.1903	Washer, thrust, clutch cover, .110"	
(15)	UG.548	PLATE, DRIVING—ASSY.	4	(26)	UG.1904	Washer, thrust, clutch cover, .112"	
					UG.281	Washer, grooved, clutch cover	1

FRONT AND REAR DRUMS



Ref.	Part No.	Description	No. off	Ref.	Part No.	Description	No. off
	UG.1349	DRUM, REAR—ASSY.	1	(18)	UG.282	Washer, thrust, grooved	2
(1)	UG.1345	COVER, CLUTCH, REAR—ASSY.	1		UG.170	Ring, spring, clutch hub	1
(2)	UG.505	DRUM AND PINS, REAR—ASSY.	1	(19)	UG.1340	Washer, thrust, flat	1
(3)	UG.176	Expander, inner seal	1	(20)	UG.164	Nut, main shaft	1
(4)	UG.175	Expander, outer seal	1	(21)	UG.228	Ring, spring, driven torus	1
(5)	UG.241	Gear, annulus	1	(22)	UG.110	Shaft, main	1
(6)	UG.1342	Hub, clutch	1	(23)	UG.200	Washer, lock, nut	1
(7)	UG.154	Pin, guide, springs	6	(24)	UG.266	Washer, thrust, grooved, .059"	] as reqd.
(8)	UG.1186	Piston, annular	1		UG.267	Washer, thrust, grooved, .067"	
(9)	UG.193	Plate, driven	8		UG.268	Washer, thrust, grooved, .075"	
(10)	UG.548	PLATE, DRIVING, REAR CLUTCH —ASSY.	8		UG.269	Washer, thrust, grooved, .083"	
					UG.270	Washer, thrust, grooved, .091"	
(11)	UG.1888	Plate, spacer, .028"	]		UG.271	Washer, thrust, grooved, .099"	] as reqd.
	UG.1890	Plate, spacer, .048"	as		UG.272	Washer, thrust, grooved, .107"	
	UG.1889	Plate, spacer, .064"	reqd.		UG.273	Washer, thrust, grooved, .115"	
	UG.1891	Plate, spacer, .080"	]		UG.496	BAND AND STRUT, REAR—ASSY.	
(12)	UG.129	Ring, sealing, inner	1	(25)	UG.285	BAND, REAR—ASSY.	1
(13)	UG.142	Ring, sealing, outer	1	(26)	UG.706	Pin, strut	1
(14)	UG.226	Ring, spring, clutch cover	1	(27)	UG.1363	Spring, releasing	1
(15)	UG.646	Screw, annulus gear	2	(28)	UG.205	Strut, operating	1
(16)	UG.261	Spring, inner	6				
(17)	UG.262	Spring, outer	6				

FRONT AND REAR DRUMS

(Continued)