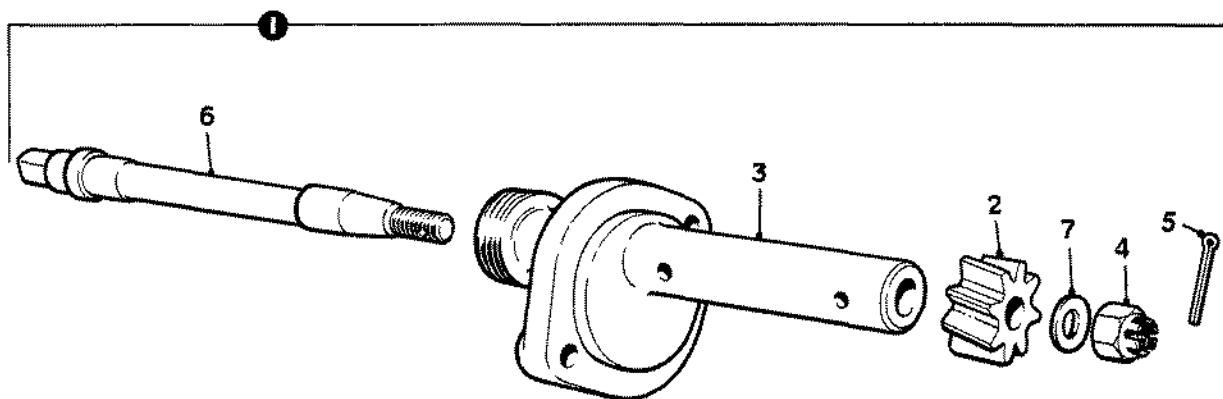


SECTION P.

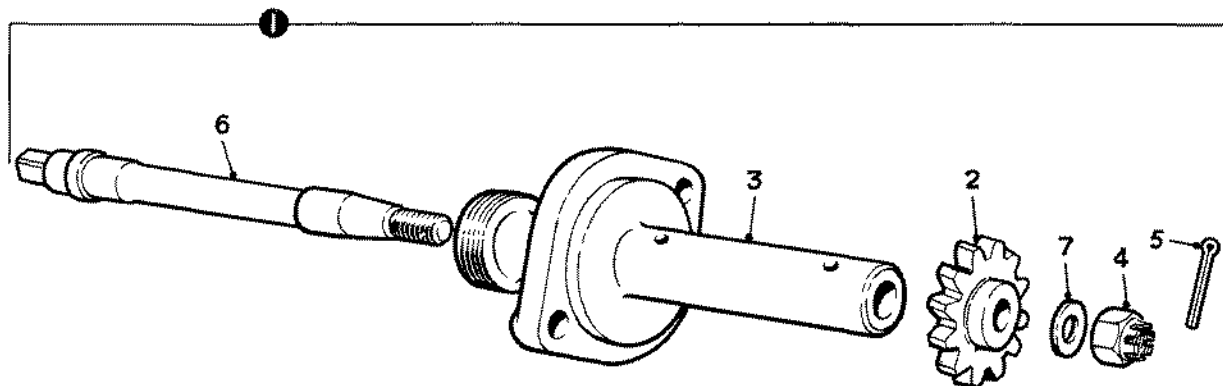
SPEEDOMETER DRIVE

TITLE	GEARBOX SERIES	PAGE
SPEEDOMETER DRIVE.	C. C-C. C-E. C-E8. C-P. C-SW. C-SWM.	P.1
	C-PC.	P.2
	SM. SM-C.	P.3
	SM. SM-C. T.	P.4



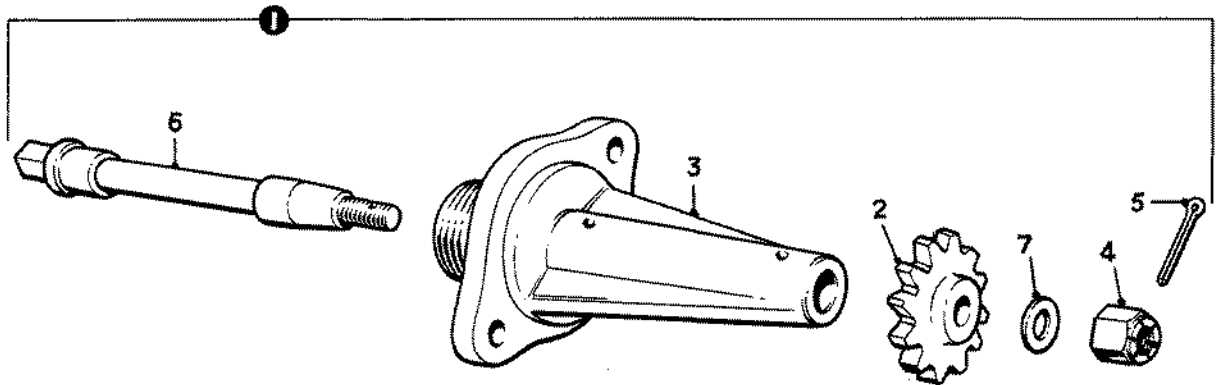
Ref.	Part No.	Description	No. off
(1)	RG.8082	DRIVE, SPEEDOMETER—ASSY.	1
(2)	GB.3757	Gear, driving	1
(3)	RG.8100	Housing, speedometer drive	1
(4)	K.4208/Z	Nut, drive, shaft	1
(5)	K.4602/Z	Pin, split, nut	1
(6)	RG.8079	Shaft, driving	1
(7)	K.4407/Z	Washer, nut, shaft	1

SPEEDOMETER DRIVE



Ref.	Part No.	Description	No. off
(1)	RG.8260	DRIVE, SPEEDOMETER—ASSY.	1
(2)	RG.8014	Gear, driving	1
(3)	RG.8078	Housing, speedometer drive	1
(4)	K.4208/Z	Nut, drive, shaft	1
(5)	K.4602/Z	Pin, split, nut	1
(6)	RG.8079	Shaft, driving	1
(7)	K.4407/Z	Washer, nut, shaft	1

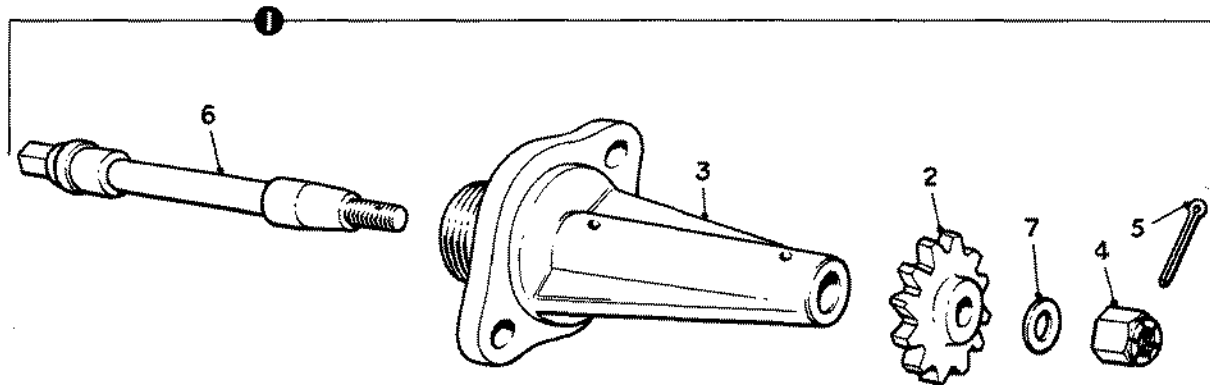
SPEEDOMETER DRIVE



Ref.	Part No.	Description	No. off
(1)	UG.944	DRIVE, SPEEDOMETER—ASSY.	1
(2)	RG.8014	Gear, driving	1
(3)	UG.1528	Housing, speedometer drive	1
(4)	UA.401/Z	Nut, driving, shaft	1
(5)	K.4602/Z	Pin, split, nut	1
(6)	UG.1529	Shaft, driving	1
(7)	UA.1251/Z	Washer, nut, shaft	1

SPEEDOMETER DRIVE

(LENGTH OF SPEEDOMETER DRIVING SHAFT = 4.275")



Ref.	Part No.	Description	No. off
(1)	UG.944	DRIVE, SPEEDOMETER—ASSY.	1
(2)	RG.8014	Gear, driving	1
(3)	UG.1359	Housing, speedometer drive	1
(4)	UA.401/Z	Nut, driving, shaft	1
(5)	K.4602/Z	Pin, split, nut	1
(6)	UG.766	Shaft, driving	1
(7)	UA.1251/Z	Washer, nut, shaft	1

SPEEDOMETER DRIVE

(LENGTH OF SPEEDOMETER DRIVING SHAFT = 4.450")