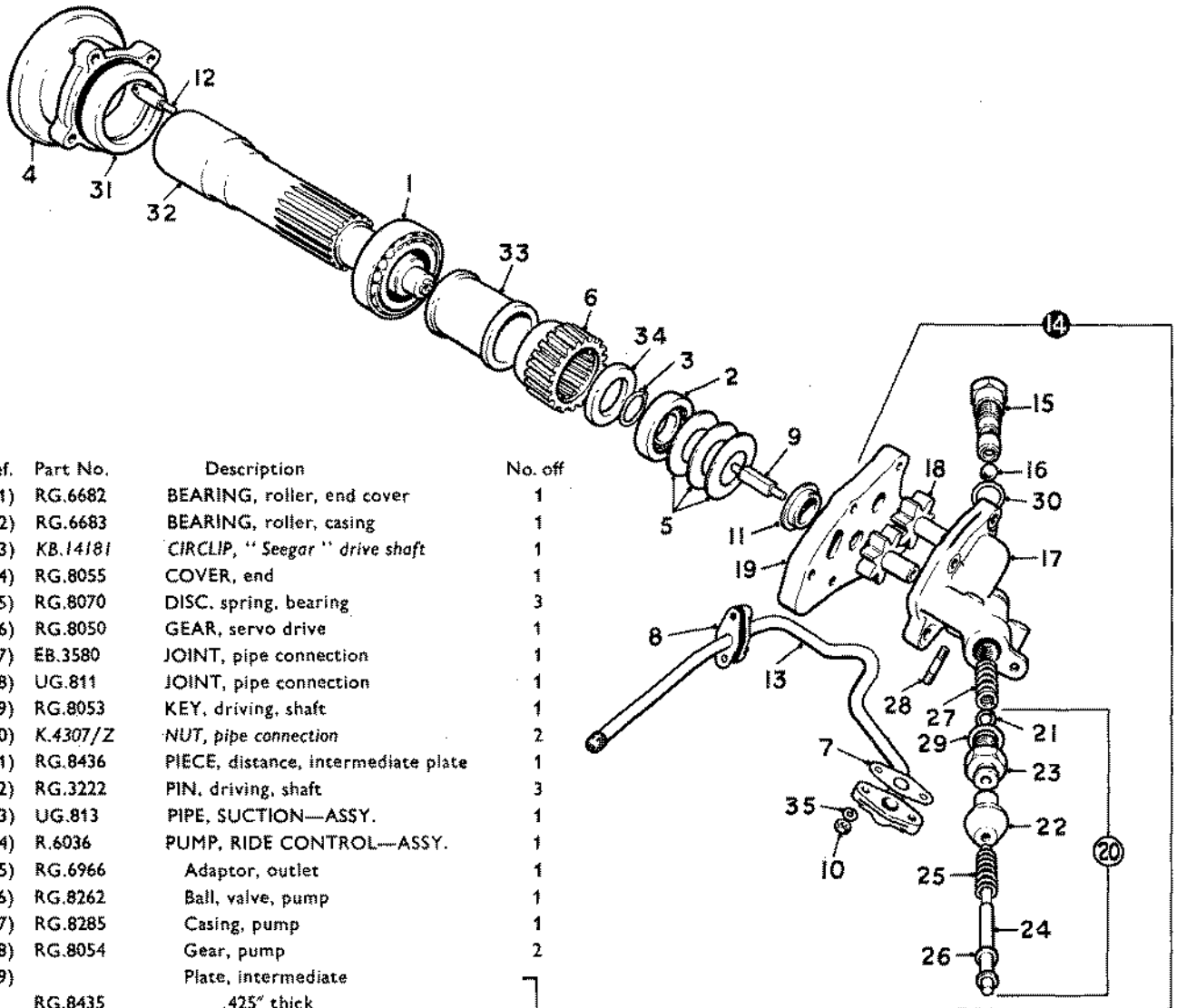


**SECTION N.**

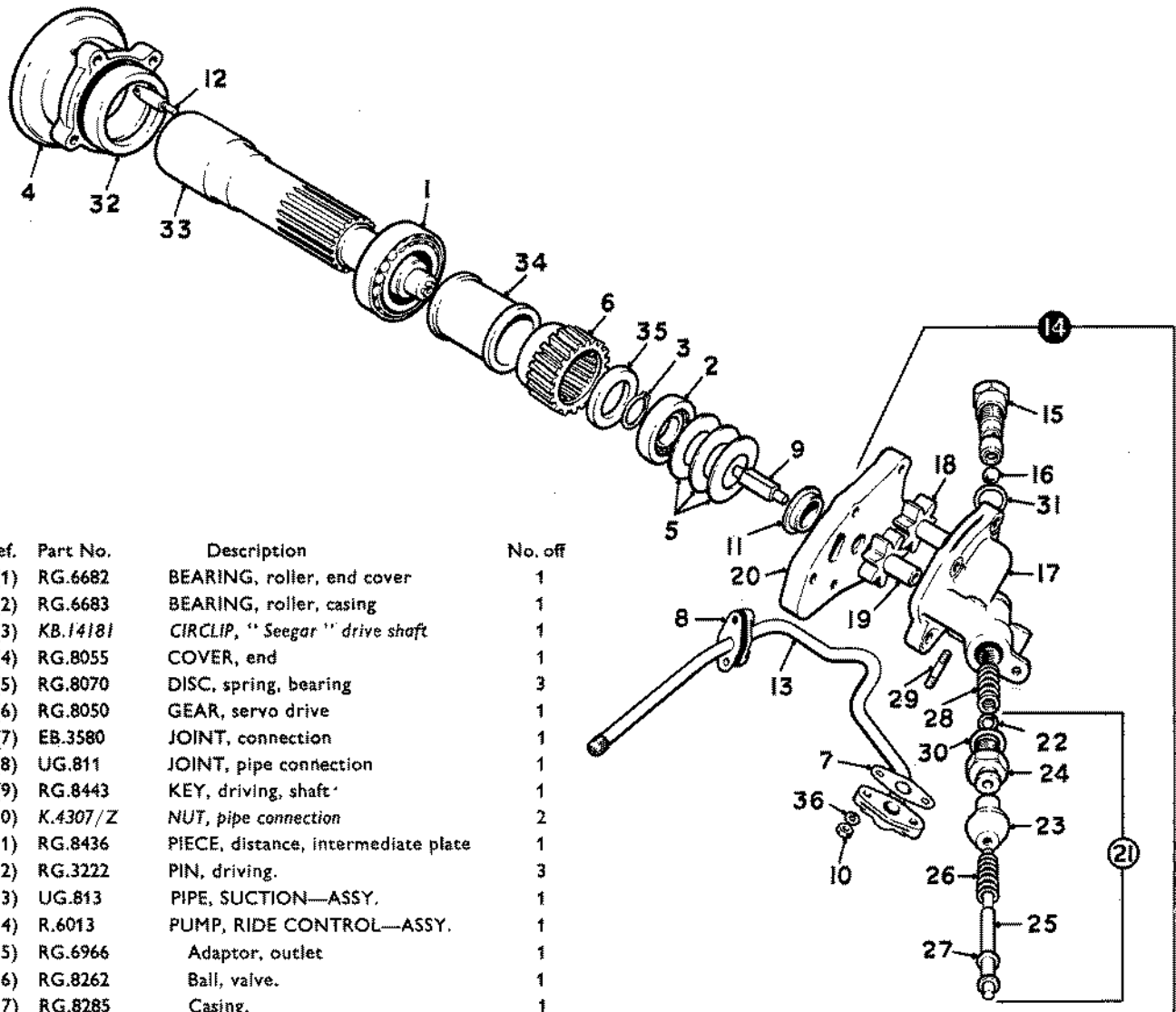
**SERVO DRIVE**

<b>TITLE</b>	<b>GEARBOX SERIES</b>	<b>PAGE</b>
SERVO DRIVE	C. C-C. C-E. C-P.	N.1
	C. C-C. C-E. C-E8. C-P.	N.2
	C-PC.	N.3
	C-SW. C-SWM.	N.4
	SM. SM-C. T.	N.5



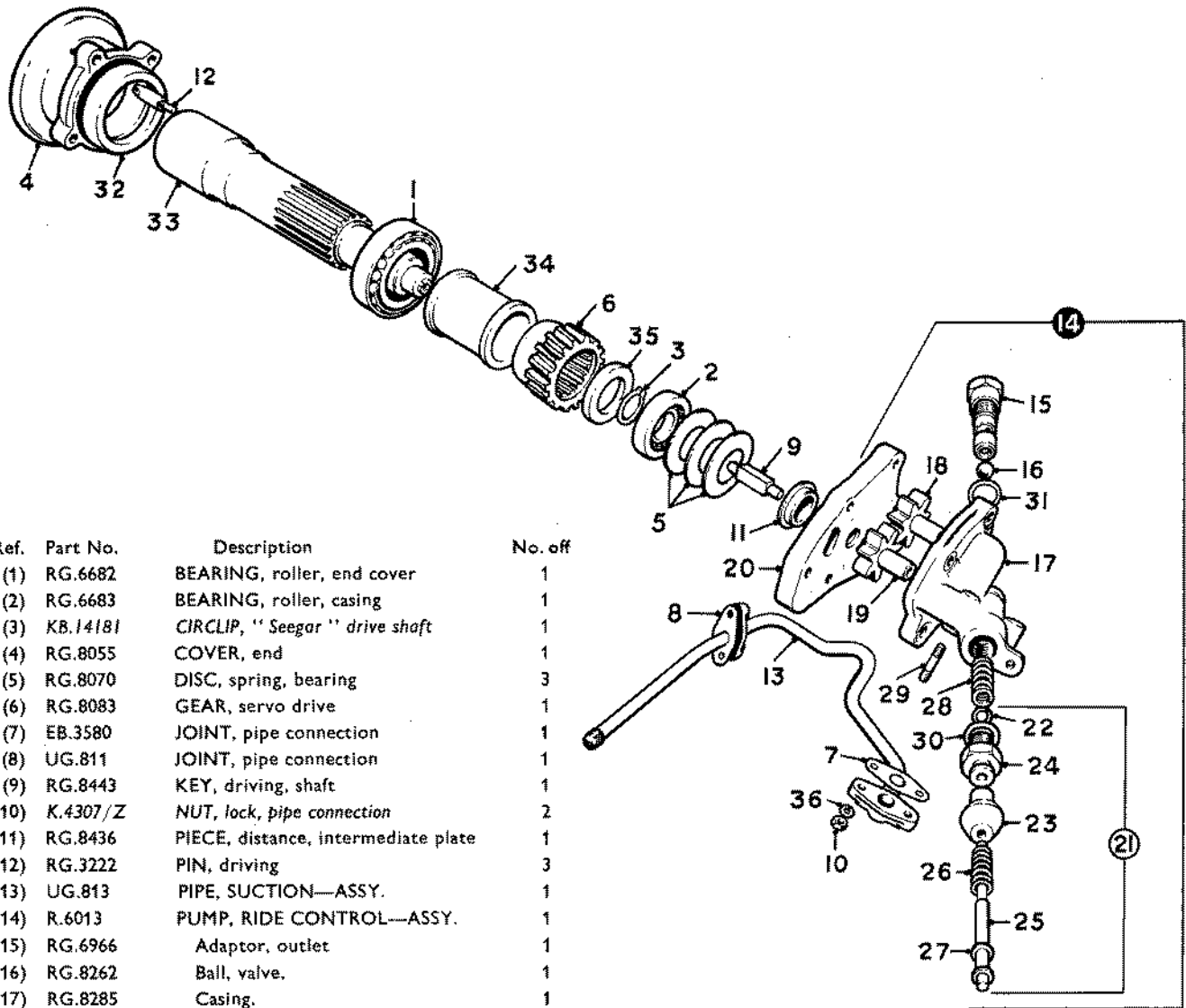
Ref.	Part No.	Description	No. off
(1)	RG.6682	BEARING, roller, end cover	1
(2)	RG.6683	BEARING, roller, casing	1
(3)	KB.14181	CIRCLIP, "Seegar" drive shaft	1
(4)	RG.8055	COVER, end	1
(5)	RG.8070	DISC. spring, bearing	3
(6)	RG.8050	GEAR, servo drive	1
(7)	EB.3580	JOINT, pipe connection	1
(8)	UG.811	JOINT, pipe connection	1
(9)	RG.8053	KEY, driving, shaft	1
(10)	K.4307/Z	NUT, pipe connection	2
(11)	RG.8436	PIECE, distance, intermediate plate	1
(12)	RG.3222	PIN, driving, shaft	3
(13)	UG.813	PIPE, SUCTION—ASSY.	1
(14)	R.6036	PUMP, RIDE CONTROL—ASSY.	1
(15)	RG.6966	Adaptor, outlet	1
(16)	RG.8262	Ball, valve, pump	1
(17)	RG.8285	Casing, pump	1
(18)	RG.8054	Gear, pump	2
(19)	RG.8435	Plate, intermediate	as reqd.
	RG.8434	.425" thick	
	RG.8433	.450" thick	
	RG.8046	.475" thick	
(20)	RG.8302	PLUNGER, CONTROL, PUMP—ASSY.	1
(21)	RG.8295	Collar, guide	1
(22)	RG.8297	Cover, dust	1
(23)	RG.8064	Guide, control plunger	1
(24)	RG.8298	Plunger, control	1
(25)	RG.8296	Spring, return	1
(26)	RD.3188	Washer, seating, spring	1
(27)	RG.8294	Spring, control	1
(28)	KB.252/Z	Stud, pipe connection	2
(29)	KB.1097	Washer, joint, guide	1
(30)	KB.1097	Washer, joint, adaptor	1
(31)	RG.6640	SEAL, oil, end cover	1
(32)	RG.8047	SHAFT, DRIVE, SERVO—ASSY.	1
(33)	RG.8052	SLEEVE, servo drive gear	1
(34)	RG.8051	WASHER, abutment	1
(35)	K.9006/Z	WASHER, stud, connection	2

**SERVO DRIVE**  
(DAMPER PUMP DRIVING  
GEAR KEY .125" THICK)



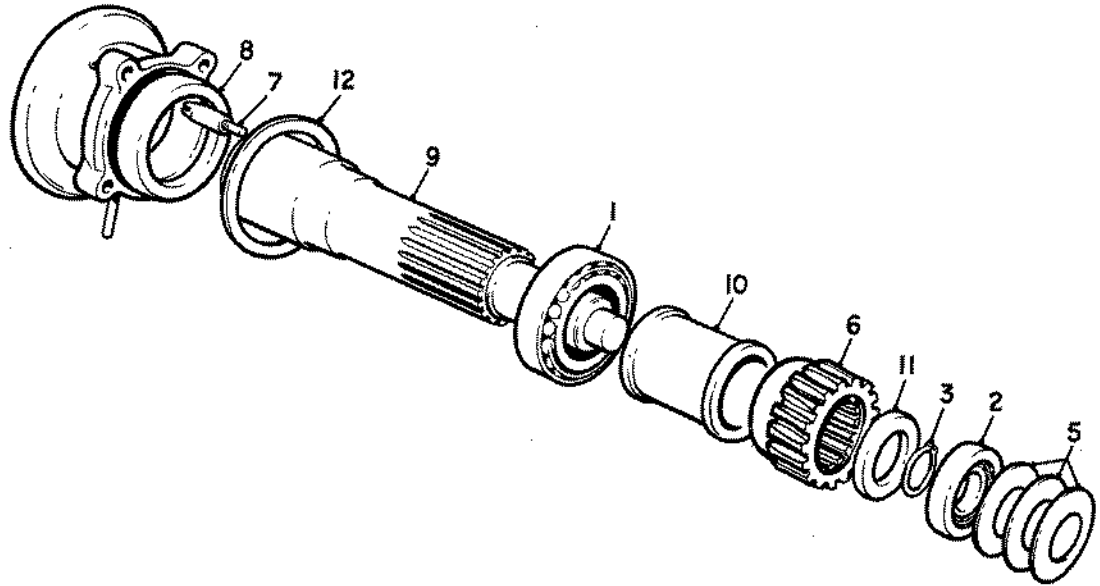
Ref.	Part No.	Description	No. off
(1)	RG.6682	BEARING, roller, end cover	1
(2)	RG.6683	BEARING, roller, casing	1
(3)	KB.14181	CIRCLIP, "Seegar" drive shaft	1
(4)	RG.8055	COVER, end	1
(5)	RG.8070	DISC, spring, bearing	3
(6)	RG.8050	GEAR, servo drive	1
(7)	EB.3580	JOINT, connection	1
(8)	UG.811	JOINT, pipe connection	1
(9)	RG.8443	KEY, driving, shaft	1
(10)	K.4307/Z	NUT, pipe connection	2
(11)	RG.8436	PIECE, distance, intermediate plate	1
(12)	RG.3222	PIN, driving.	3
(13)	UG.813	PIPE, SUCTION—ASSY.	1
(14)	R.6013	PUMP, RIDE CONTROL—ASSY.	1
(15)	RG.6966	Adaptor, outlet	1
(16)	RG.8262	Ball, valve.	1
(17)	RG.8285	Casing.	1
(18)	RG.8441	Gear, driven	1
(19)	RG.8439	Gear, driving	1
(20)	RG.8442	Plate, intermediate	1
(21)	RG.8302	PLUNGER, CONTROL, PUMP—ASSY.	1
(22)	RG.8295	Collar, guide	1
(23)	RG.8297	Cover, dust	1
(24)	RG.8064	Guide, control plunger	1
(25)	RG.8298	Plunger, control	1
(26)	RG.8296	Spring, return	1
(27)	RD.3188	Washer, seating, spring	1
(28)	RG.8294	Spring, control	1
(29)	KB.252/Z	Stud, pipe connection	2
(30)	KB.1097	Washer, joint, guide	1
(31)	KB.1097	Washer, joint, adaptor	1
(32)	RG.6640	SEAL, oil, end cover	1
(33)	RG.8440	SHAFT, DRIVE, SERVO—ASSY.	1
(34)	RG.8052	SLEEVE, servo drive gear	1
(35)	RG.8051	WASHER, abutment, gear	1
(36)	K.9006/Z	WASHER, stud, connection	2

**SERVO DRIVE**  
(DAMPER PUMP DRIVING  
GEAR KEY .1875" THICK)



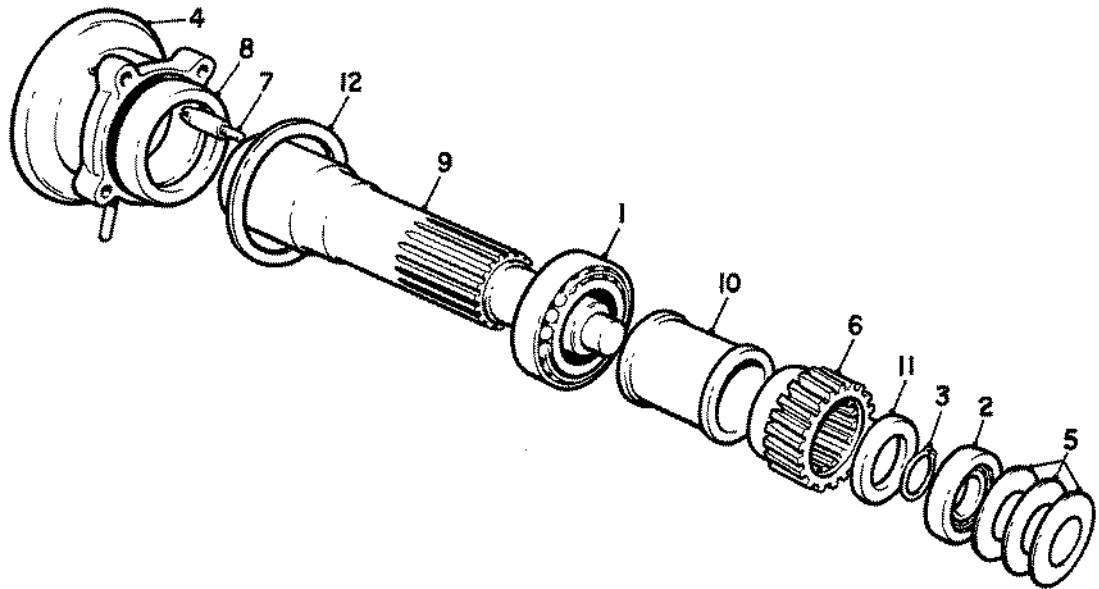
Ref.	Part No.	Description	No. off
(1)	RG.6682	BEARING, roller, end cover	1
(2)	RG.6683	BEARING, roller, casing	1
(3)	KB.14181	CIRCLIP, "Seegar" drive shaft	1
(4)	RG.8055	COVER, end	1
(5)	RG.8070	DISC, spring, bearing	3
(6)	RG.8083	GEAR, servo drive	1
(7)	EB.3580	JOINT, pipe connection	1
(8)	UG.811	JOINT, pipe connection	1
(9)	RG.8443	KEY, driving, shaft	1
(10)	K.4307/Z	NUT, lock, pipe connection	2
(11)	RG.8436	PIECE, distance, intermediate plate	1
(12)	RG.3222	PIN, driving	3
(13)	UG.813	PIPE, SUCTION—ASSY.	1
(14)	R.6013	PUMP, RIDE CONTROL—ASSY.	1
(15)	RG.6966	Adaptor, outlet	1
(16)	RG.8262	Bail, valve.	1
(17)	RG.8285	Casing.	1
(18)	RG.8441	Gear, driven	1
(19)	RG.8439	Gear, driving	1
(20)	RG.8442	Plate, intermediate	1
(21)	RG.8302	PLUNGER, CONTROL, PUMP—ASSY	1
(22)	RG.8295	Collar, guide	1
(23)	RG.8297	Cover, dust	1
(24)	RG.8064	Guide, control plunger	1
(25)	RG.8298	Plunger, control	1
(26)	RG.8296	Spring, return	1
(27)	RD.3188	Washer, seating, spring	1
(28)	RG.8294	Spring, control	1
(29)	KB.252/Z	Stud, pipe connection	2
(30)	KB.1097	Washer, joint, guide	1
(31)	KB.1097	Washer, joint, adaptor	1
(32)	RG.6640	SEAL, oil, end cover	1
(33)	RG.8440	SHAFT, DRIVE, SERVO—ASSY.	1
(34)	RG.8052	SLEEVE, servo drive gear	1
(35)	RG.8051	WASHER, abutment, gear	1
(36)	K.9006/Z	WASHER, stud, connection	2

**SERVO DRIVE**



Ref.	Part No.	Description	No. off
(1)	RG.6682	BEARING, roller, end cover	1
(2)	RG.6683	BEARING, roller casing	1
(3)	KB.14181	CIRCLIP, "Seegar," drive shaft	1
(4)	UG.2896	COVER, END,—ASSY.	1
(5)	RG.8070	DISC, spring, bearing	3
(6)	RG.8050	GEAR, servo drive	1
(7)	UG.771	PIN, driving	3
(8)	RG.6640	SEAL, oil, end cover	1
(9)	UG.940	SHAFT, DRIVE, SERVO—ASSY.	1
(10)	RG.8052	SLEEVE, servo drive gear	1
(11)	RG.8051	WASHER, abutment gear	1
(12)	UG.2018	WASHER, support, drive shaft.	1

**SERVO DRIVE**



Ref.	Part No.	Description	No. off
(1)	RG.6682	BEARING, roller, end cover	1
(2)	RG.6683	BEARING, roller casing	1
(3)	KB.14181	CIRCLIP, "Seegar," drive shaft	1
(4)	UG.2896	COVER, END,—ASSY.	1
(5)	RG.8070	DISC, spring, bearing	3
(6)	RG.8083	GEAR, servo drive	1
(7)	UG.771	PIN, driving	3
(8)	RG.6640	SEAL, oil, end cover	1
(9)	UG.940	SHAFT, DRIVE, SERVO—ASSY.	1
(10)	RG.8052	SLEEVE, servo drive gear	1
(11)	RG.8051	WASHER, abutment gear	1
(12)	UG.2018	WASHER, support, drive shaft	1

**SERVO DRIVE**