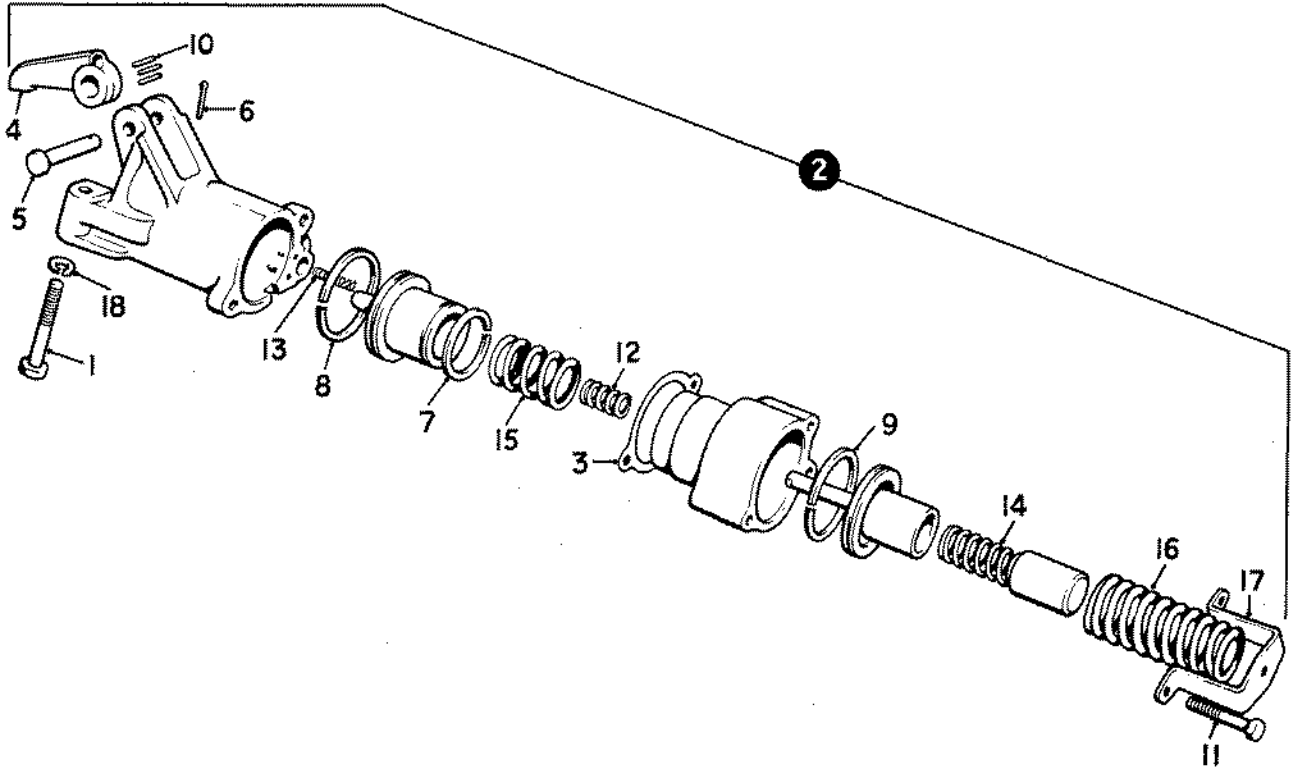


**SECTION M.**

**REAR SERVO**

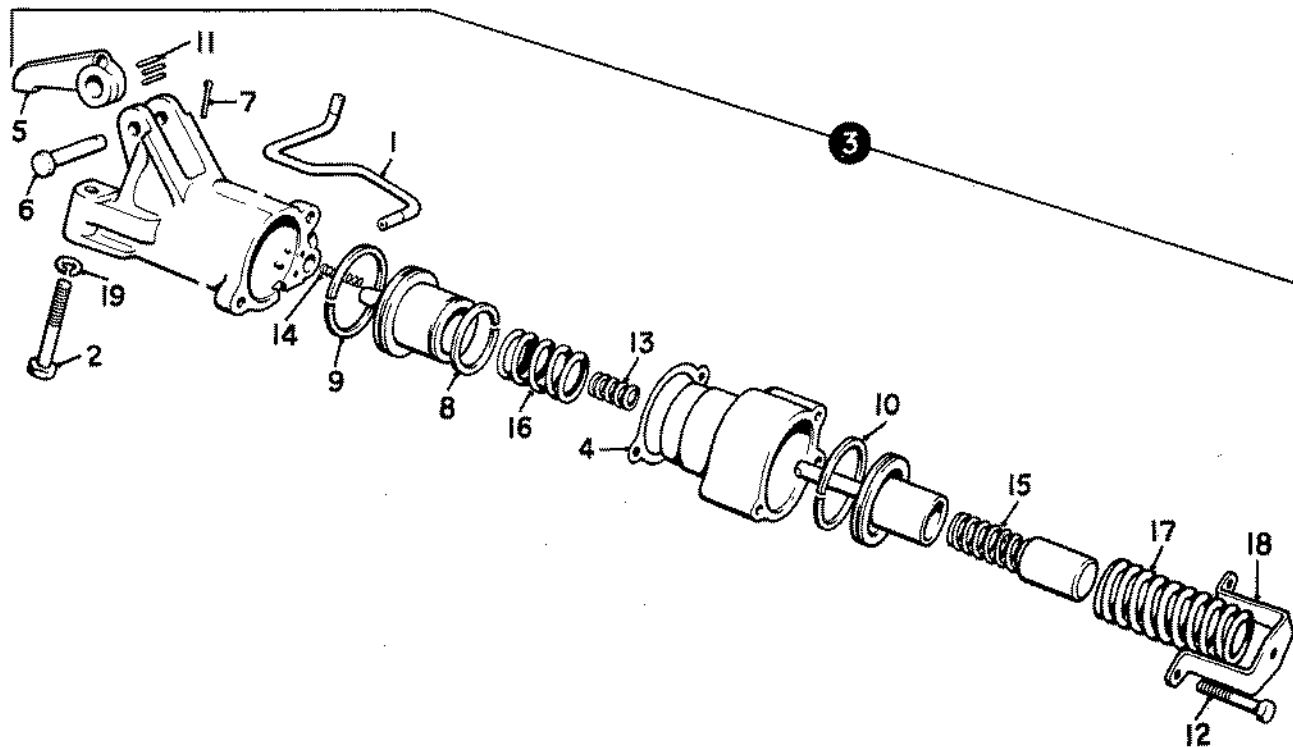
<b>TITLE</b>	<b>GEARBOX SERIES</b>	<b>PAGE</b>
REAR SERVO	C. C-C. C-E. C-E8. C-P. C-PC.	M.1
	ALL	M.2



Ref.	Part No.	Description	No. off
(1)	UA.214/R	SCREW, servo to gearbox	2
(2)	UG.732	SERVO, REAR—ASSY.	1
(3)	UG.138	Joint, compensator and release cylinder	1
(4)	UG.215	Lever, actuating	1
(5)	UG.409	Pin, pivot, actuating lever	1
(6)	KA.4608/R	Pin, split, pivot pin	1
(7)	UG.180	Ring, main piston	1
(8)	UG.177	Ring, main piston	1
(9)	UG.182	Ring, compensator and release piston	1
(10)	UG.614	Needle, roller bearing	18
(11)	UA.163/R	Screw, retaining strap	2
(12)	UG.199	Spring, piston pin	1
(13)	UG.729	Spring, exhaust valve	1
(14)	UG.378	Spring, inner, rear band apply	1
(15)	UG.275	Spring, main piston	1
(16)	UG.293	Spring, outer, rear band apply	1
(17)	UG.191	Strap, piston springs	1
(18)	K.9010/R	WASHER, screw, servo to gearbox	2

**REAR SERVO**

FOR GEARBOXES **NOT** FITTED WITH COMPENSATOR PIPE BETWEEN FRONT AND REAR SERVO



Ref.	Part No.	Description	No. off
(1)	UG.1321	PIPE, compensator	1
(2)	UA.214/R	SCREW, servo to gearbox	2
(3)	UG.1327	SERVO, REAR—ASSY.	1
(4)	UG.138	Joint, cylinder	1
(5)	UG.215	Lever, actuating	1
(6)	UG.409	Pin, pivot, actuating lever	1
(7)	KA.4608/R	Pin, split, pivot pin	1
(8)	UG.180	Ring, main piston	1
(9)	UG.177	Ring, main piston	1
(10)	UG.182	Ring, compensator and release piston	1
(11)	UG.614	Needle, roller bearing	18
(12)	UA.163/R	Screw, retaining strap	2
(13)	UG.199	Spring, piston pin	1
(14)	UG.729	Spring, exhaust valve	1
(15)	UG.378	Spring, inner, rear band apply.	1
(16)	UG.275	Spring, main piston	1
(17)	UG.293	Spring, outer, rear band apply	1
(18)	UG.191	Strap, piston springs	1
(19)	K.9010/R	WASHER, screw, servo to gearbox	2

**REAR SERVO**

FOR GEARBOXES WITH COMPENSATOR PIPE BETWEEN FRONT AND REAR SERVO